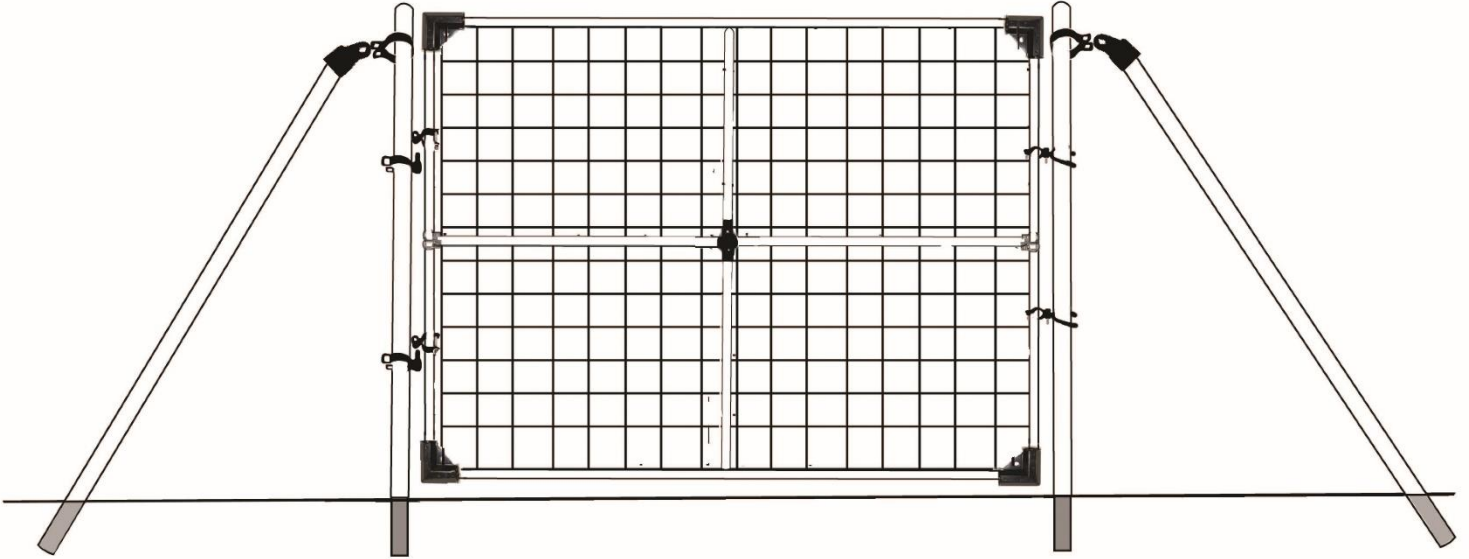


# Deer Fence Driveway Gate Instructions



## Tools you will need:

- ✓ Power Drill
- ✓ 3/8" Drill Bit
- ✓ Socket Wrench 5/16" or Adjustable wrenches
- ✓ Tape Measure
- ✓ Shovel
- ✓ Digging bar
- ✓ Level
- ✓ Concrete (recommended)
- ✓ Post hole digger (recommended)

\*\*\*Please note: This kit does not include fence MESH. Fencing material must be purchased separately to complete gate installation

## When attaching the fence mesh be sure to have:

- ✓ Cutter puller tool
- ✓ Zip ties (included in hardware box)

# Parts List

## Steps 1-9

- P** 

3/8" x 6" Rebar  
SKU: DE9972
- F** 

Hinge Male 2 1/2" Black  
SKU: DE8216
- J** 

Brace Band  
2 1/2" Black  
SKU: DE8084
- I.** 

Brace Cup  
1 5/8" Black  
SKU: DE8144
- K** 

Vinyl Cap For 2 1/2" Post  
SKU: DE8091
- G** 

Corner Elbow  
1 3/8" Black  
SKU: DE8112
- N** 

3/4" Self-Tapping  
Screw  
SKU: DE8450

If tensioning was purchased:



**2 1/2" alignment band**  
**SKU DE8469**

Comes with  
ONLY 7' &  
8' H gates



**Extension Used  
on Corners/Ends  
2.5" x 24"(x2)**  
**SKU: DE8166**

## Steps 10-17

- H** 

End Clamp 1 3/8" Black  
SKU: DE8154
- O** 

5/16" x 2" Hot Dip  
Galvanized Hex Bolt,  
Nut & Washer  
SKU: DE8044
- L** 

1 3/8" Center  
Support Clamp  
SKU: DE8096
- M** 

Turnbuckle  
SKU: DE8466
- C** 

Connector Clip  
SKU: DE2830
- D** 

Self- Locking Ties  
SKU: DE2854
- E** 

Female Hinge  
1 3/8" Black  
SKU: DE8210
- B** 

Fork Latch Assembly  
2 1/2" Black  
SKU: DE8182

## Door Panel Pipe Parts

### 6' Driveway Gate

H x W	A1 1 3/8" Pipe (Qty-2)	A2 1 3/8" Pipe (Qty-1)	B 1 3/8" Pipe (Qty-2)	C Male End 1 3/8" Pipe (Qty-3)	B 1 3/8" Pipe (Qty-2)
6' x 8'	60"	59"	68"	32"	32 1/8
6' x 10'	84"	83"	68"	32"	32 1/8
6' x 12'	84"	83"	68"	56"	32 1/8
6' x 14'	93"	92"	68"	71"	32 1/8

### 7' Driveway Gate

H x W	A1 1 3/8" Pipe (Qty-2)	A2 1 3/8" Pipe (Qty-1)	B 1 3/8" Pipe (Qty-2)	C Male End 1 3/8" Pipe (Qty-3)	B 1 3/8" Pipe (Qty-2)
7' x 8'	60"	59"	80"	32"	38 1/8
7' x 10'	84"	83"	80"	32"	38 1/8
7' x 12'	84"	83"	80"	56"	38 1/8
7' x 14'	93"	92"	80"	71"	38 1/8

### 8' Driveway Gate


H x W	A1 1 3/8" Pipe (Qty-2)	A2 1 3/8" Pipe (Qty-1)	B 1 3/8" Pipe (Qty-2)	C Male End 1 3/8" Pipe (Qty-3)	B 1 3/8" Pipe (Qty-2)
8' x 8'	60"	59"	92"	32"	44 1/8
8' x 10'	84"	83"	92"	32"	44 1/8
8' x 12'	84"	83"	92"	56"	44 1/8
8' x 14'	93"	92"	92"	71"	44 1/8

## Support Post Installation

**Step 1:** Measure and mark the location for your two 2 ½" driveway support posts from inside to inside on the posts.

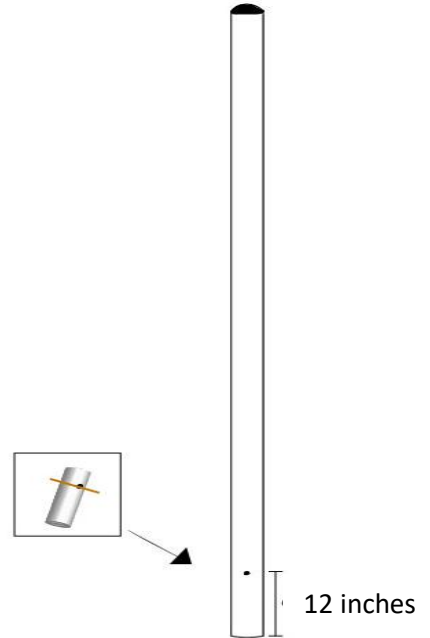
Gate Width	Inside to Inside
8'	98"
10'	122"
12'	146"
14'	170"

**Step 2a:** Measure 12" from the bottom of the 2 ½" posts and drill a 3/8" hole for the rebar (P) to go through. This rebar will prevent the 2 ½" posts from rotating when installed in the concrete.

Parts Needed: 

3/8" x 6" Rebar (x2)

SKU:DE9972



**Step 2b:** If your gate is 7' or 8' high attach the 2' extension to the other end of the post. (As shown in fig. 1)



**Step 3:** Dig a minimum 36" deep hole and set the 2 ½" posts in concrete. Be sure to put the end with the rebar into the hole. Adjust the hole depth so post is as high as the line posts.

\*\*\* Allow posts to set in concrete according to package directions. While the posts are setting up, you can move to the gate panel assembly. Hanging the gate before the concrete has fully set can pull the support posts out of the ground\*\*\*

If using concrete and the mixture is too runny, you will need a 2"x4" to keep it in place. If concrete is a thicker consistency, it will hold the posts in place.

**Step 4:** Once the 2 1/2" posts are set, it is time to attach hardware. If you purchased tensioning, be sure to add alignment band to the bottom of the post before brace hardware is added.

Loosely fit the **bottom** male end hinge (**F**) on the 2 1/2" pipe with the male post pointing up to hold the gate door. The **top** male hinge should be pointing down to hold the top of the gate in position. They will be tightened into place when hanging the gate door. Place brace band (**J**) & brace cup (**I.**) over 2' end post extension. (This will come with 7' and 8' gates only). The brace band should be approximately 12" from the top of the extension. Add alignment band at top of post IF tensioning was purchased.

Parts Needed:



F

Hinge Male 2 1/2"  
Black (x2)

SKU: DE8216



J

Brace Band 2 1/2"  
Black (x2)

SKU: DE8084



I.

Brace Cup 1 5/8"  
Black (x2)

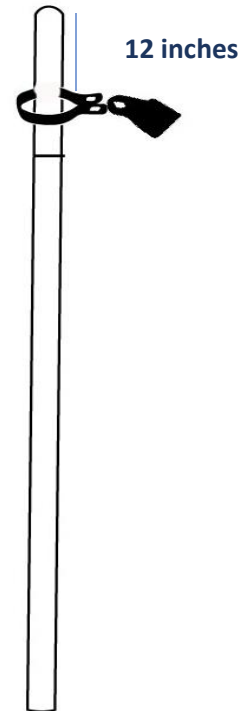
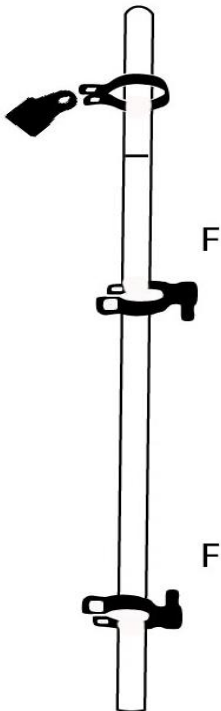
SKU: DE8144



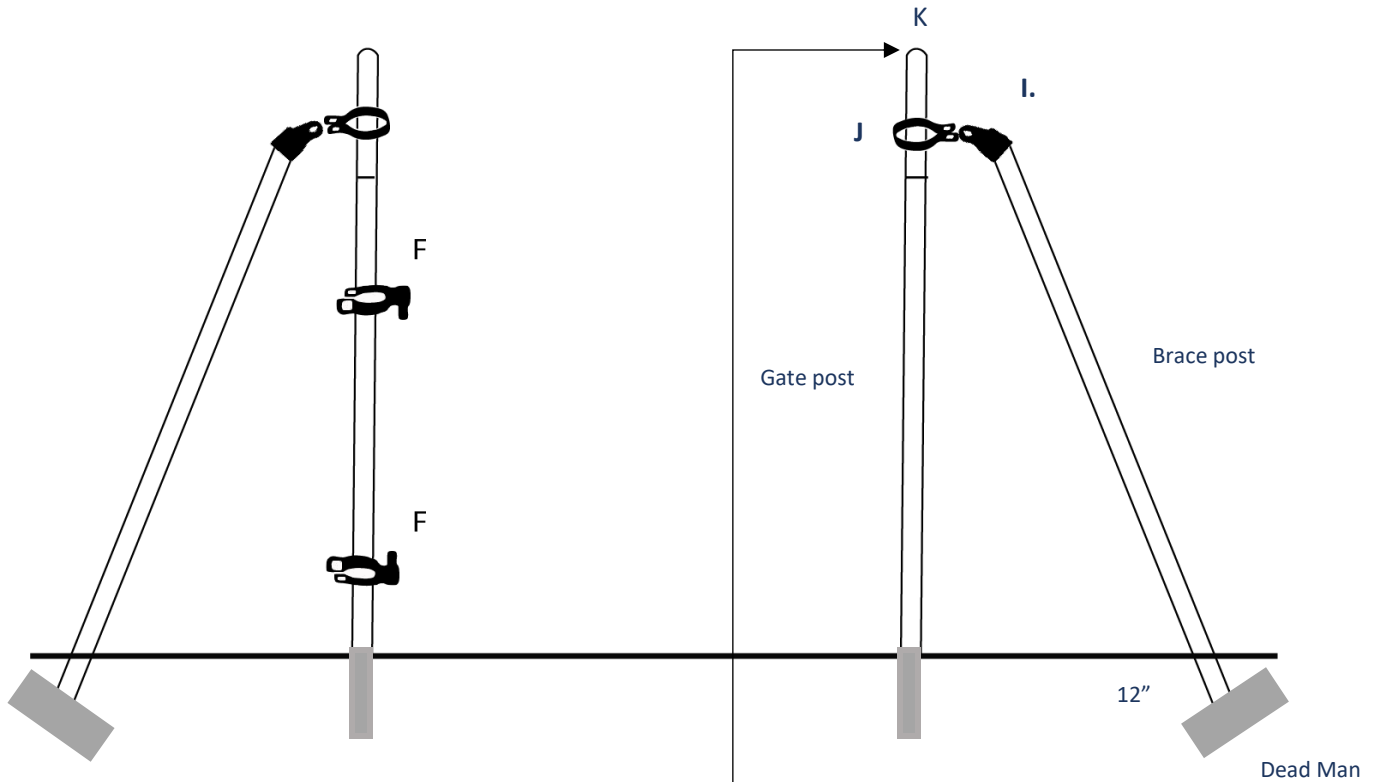
2 1/2" alignment band

SKU DE8469

\*\*\*If tensioning is used.



**Step 5:** Place 9' brace post in the brace cup (I.) Place the other end of the brace post just inside your fence line. Dig a hole approximately 1' deep and either, cement at least 6" all the way around the brace post or use a dead man. (**Dead Man**- A 4x4, solid cinder block, or even a large rock place perpendicular to the brace post end in the ground.)



**Step 6:** Add vinyl caps to the top of your 2 1/2" posts.

Parts Needed:

K

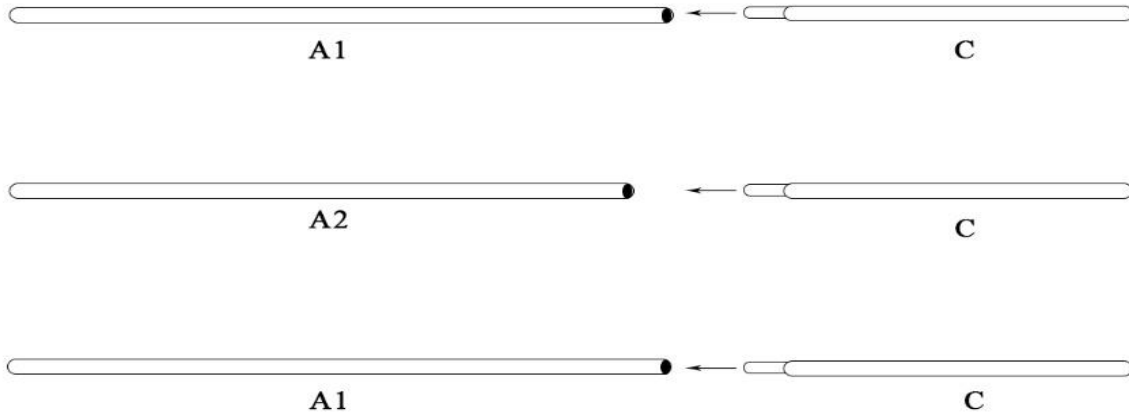


Vinyl Cap For 2 1/2" Post (x2)

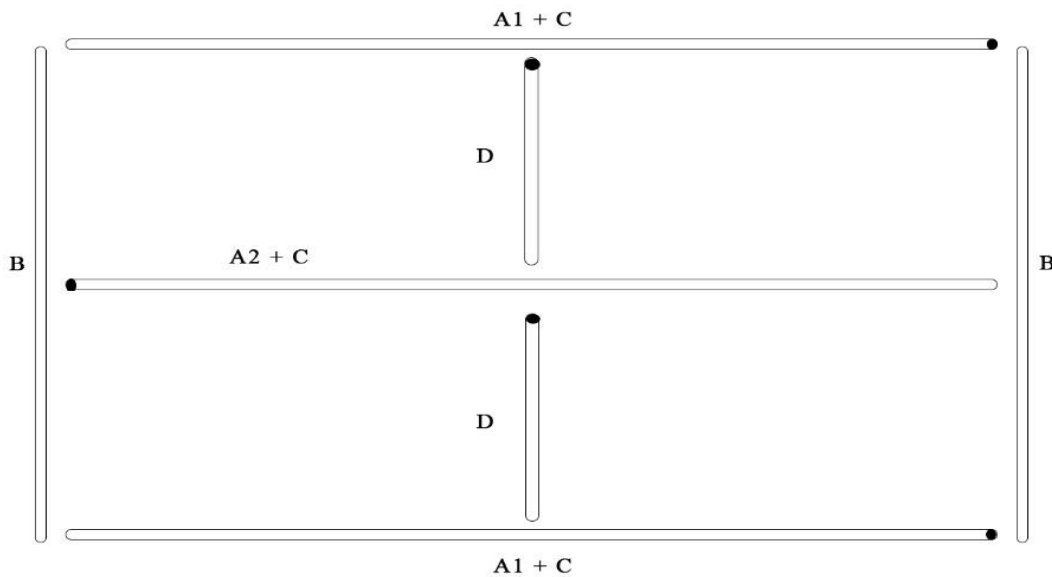
SKU: DE8091

**Now you are ready for your Gate Panel Assembly**

**Step 7:** Find a flat surface to assemble the gate panel. If building the gate on a hard surface, use cardboard to prevent scratching the pipes. Lay out your horizontal pipe (Parts A1, A2, C) Make sure the swedge ends are pointing to the inside of the gate. The C pipe has a male end that is inserted into the A1 and A2 pipes. The middle pipe (A2+C) should be shorter than the top and bottom lengths to accommodate hardware in future steps.



**Step 8:** Add the Part B vertical gate pipes and Part D inside support posts to the horizontal posts.



**Step 9:** Push the outside pipes all the way into the 1 3/8" corner elbows (**G**). Secure using 4 screws (**N**) per elbow in the dimpled spots. You can predrill holes for the screws to aid in securing, if necessary.

Parts Needed:



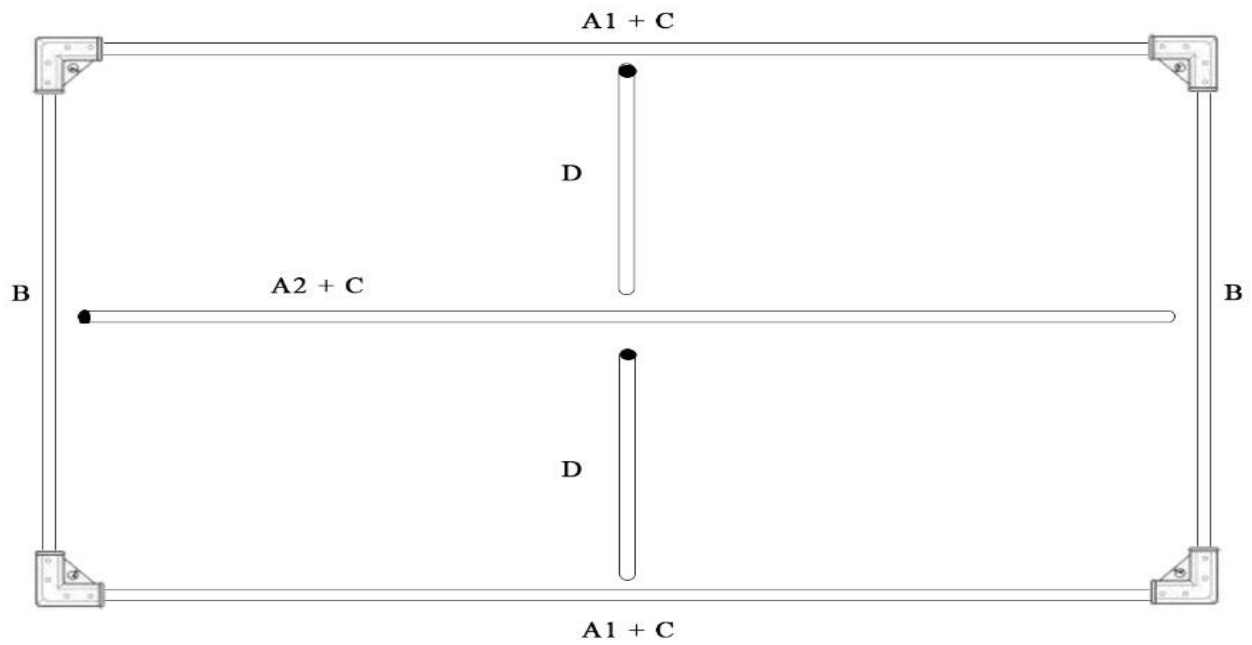
**G**  
Corner Elbow 1  
3/8 Black (x4)

SKU: DE8112



**N**  
3/8" Self-Tapping  
Screw (x4)

SKU: DE8450





**Step 10:** Find the center of the vertical sides of the gate and attach horizontal center piece to the vertical sides at this point w/ end clamps (**H**). Secure with 5/16" x 2" bolt (**O**). Locate the center of the horizontal sides and attach center vertical poles (**Part D**) using end clamps (**H**). Secure with a 5/16" x 2" bolt (**O**). Attach the other end of the center vertical poles to the center horizontal pole using the center clamp (**L**) and two 5/16" x 2" bolts (**O**).

Parts Needed:



H

End Clamp 1 3/8"  
Black (x4)

SKU: DE8154



O

5/16" x 2" Hot Dip  
Galvanized Hex Bolt, Nut &  
Washer (x6)

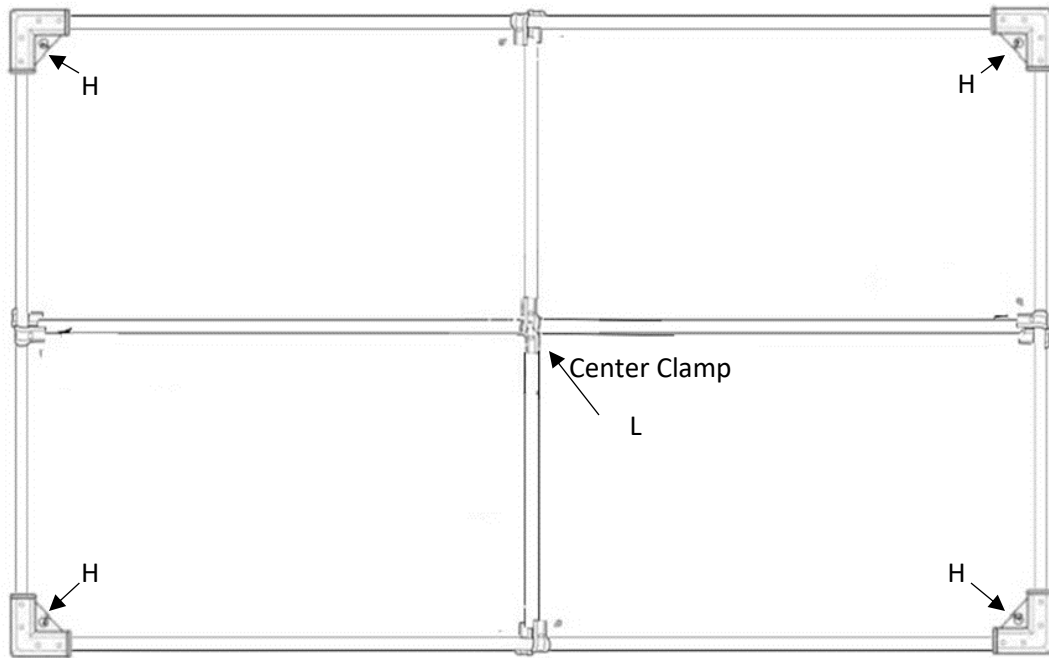
SKU: DE8044



L

1 3/8" Center Support  
Clamp (x1)

SKU: DE8096

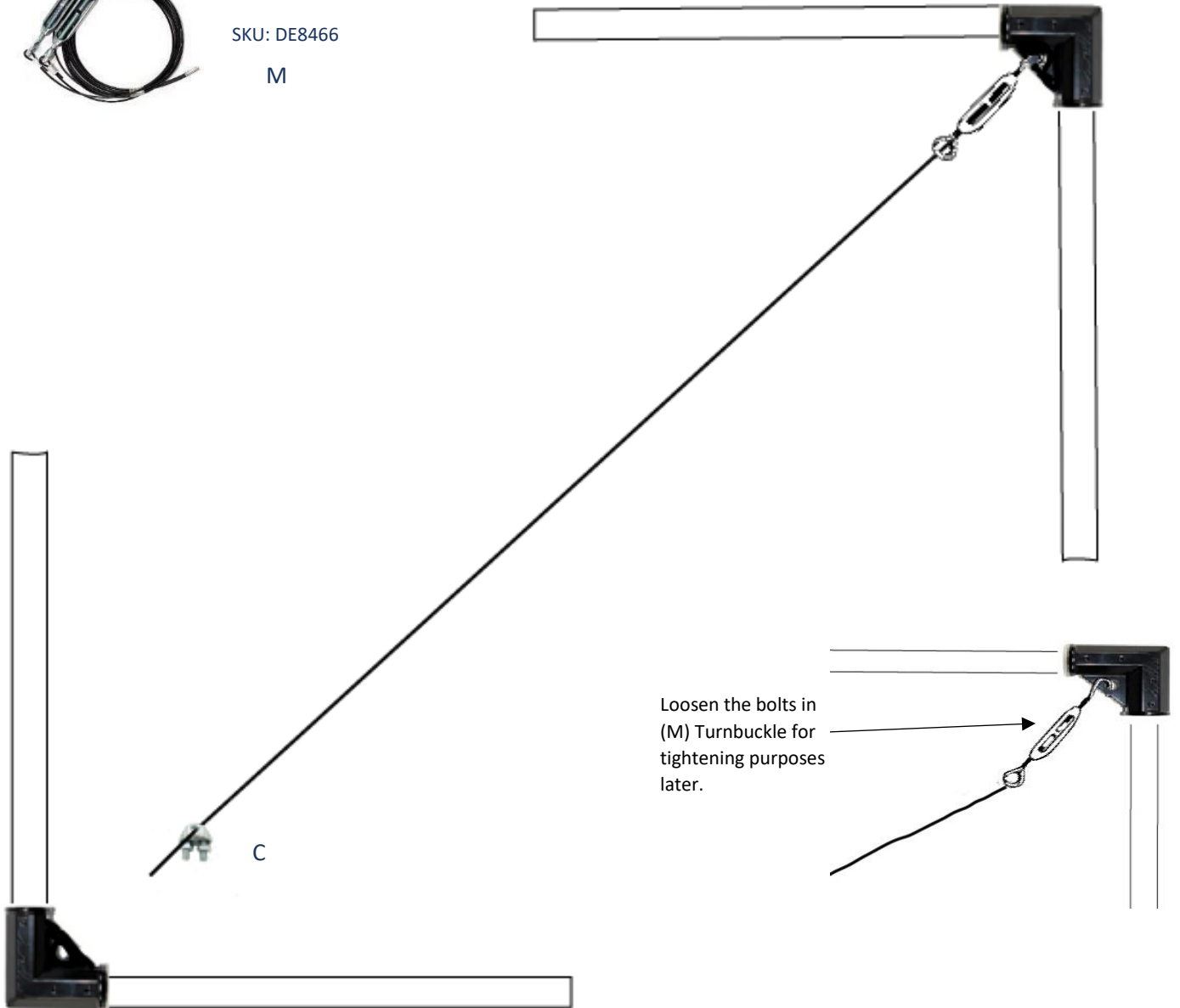


**Step 11:** Attach turnbuckles (M) to the top corner brackets (G) and extend turnbuckles completely.

Parts Needed:



Turnbuckle  
SKU: DE8466  
M



**Step 12:** Run brace wire diagonally to bottom corners through center hole in corner bracket, take out slack, and secure tightly with connector clip (C). The wire will go through the connector clip, then into the hole in the corner bracket and back through the clip.

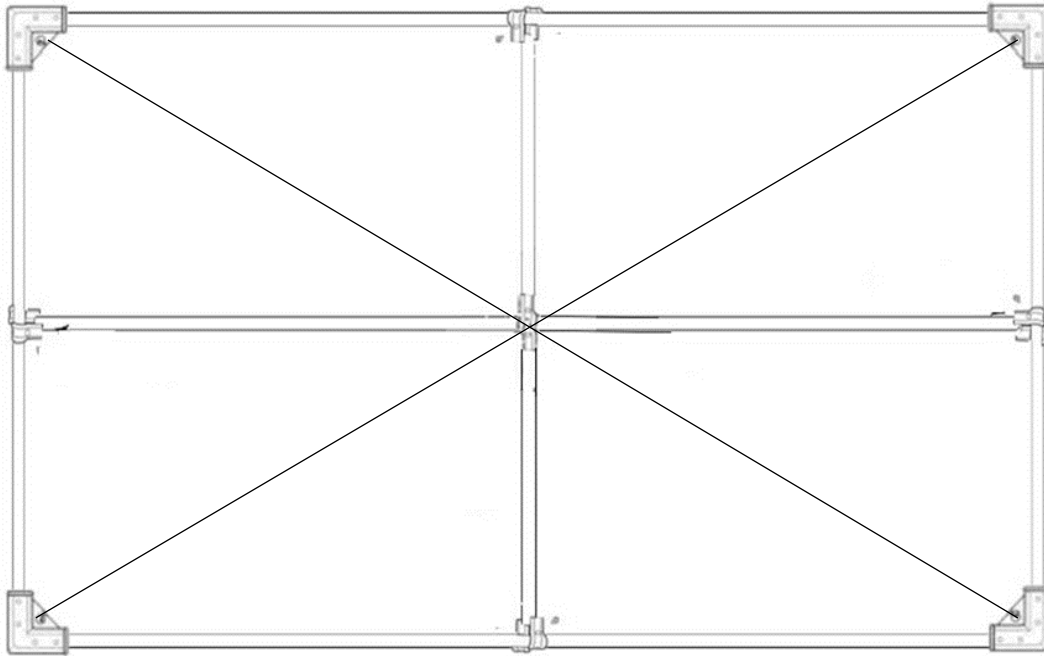
Parts Needed:

Connector Clip (x2)  
DE2830



C

**Step 13:** Tighten turnbuckles making sure gate is square by measuring them diagonally and adjusting so they are equal.



---

**Step 14:** Attach fencing mesh. The mesh will be accounted for based on the roll(s) of fencing you purchased. Gates **do not** come with pre-cut fencing, so you will have to cut a section of fence out to accommodate your unique gate width and height. To attach fencing to the gate, you will use self-locking ties every 6-12" (**D**).

Parts Needed:

D



Self- Locking Ties

SKU: DE2854

**Step 15:** Attach female hinge (**E**) to hinge side of your gate. Attach one female hinge 18 inches from the top and the second female hinge 18 inches from the bottom of your gate panel.

**Step 16:** On the latch side of your gate panel and attach fork latches (**B**) 18 inches from the top and bottom ensuring the padlock hole is on the bottom.

**Step 17:** To hang the gate, align the hinges on the door with the support post that has the male hinges. Adjust the male hinges (**F**) so they fit into the female hinges on the gate door. Once they are in the proper position tighten down the male hinges with bolt (**A**) to hold them in place. You will use bolt (**A**) to tighten fork latch as well.

Parts Needed for 15 & 16 & 17:



E

Female Hinge  
1 3/8" Black (x2)  
SKU: DE8210



B

Fork Latch Assembly  
2 1/2" Black (x2)  
SKU: DE8182

