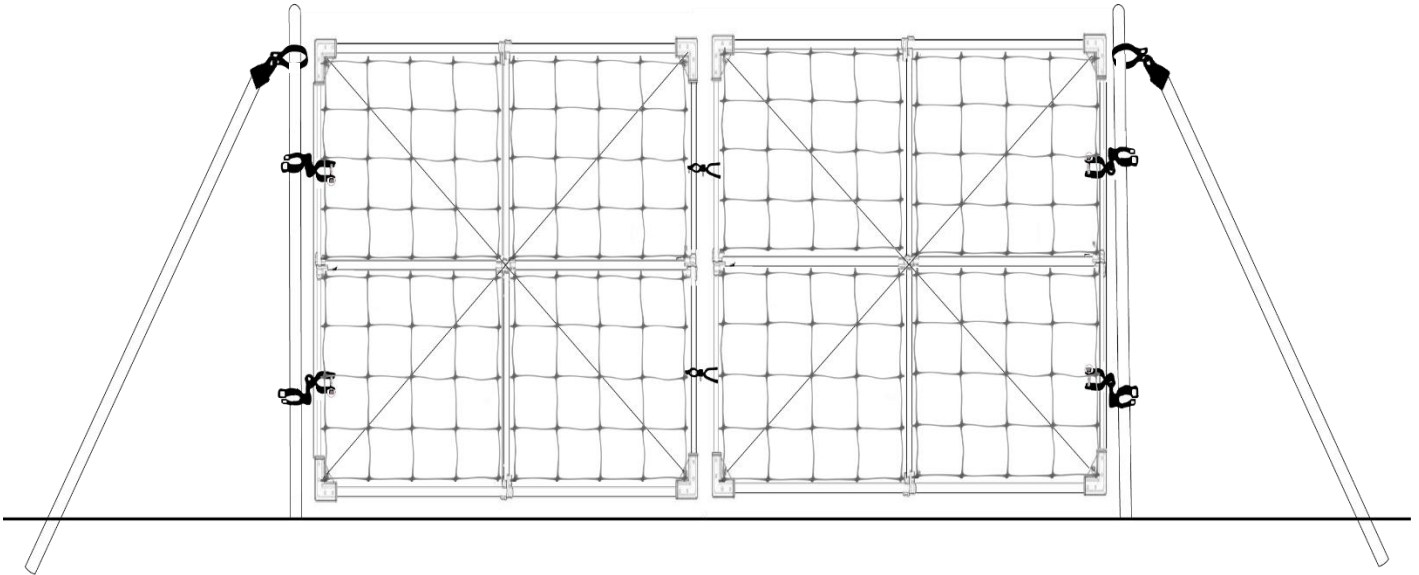


Dual Leaf Driveway Gate Installation Guide



Tools you will need:

- ✓ Drill (3/8" Drill Bit)
- ✓ Socket Set (5/16" 1/2" and 9/16")
- ✓ Tape measure
- ✓ Shovel
- ✓ Digging Bar
- ✓ Level
- ✓ Concrete (recommended)
- ✓ Post hole digger (recommended)

***Please note: This kit does not include fence MESH. Fencing material must be purchased separately to complete gate installation

When attaching the fence mesh be sure to have:

- ✓ Cutter puller tool
- ✓ Zip ties (included)

Parts List

Steps 1 -8:

- | | | | | |
|--|--|---|--|--|
| <p>R </p> <p>3/8" x 6"
Rebar</p> <p>SKU:DE9972</p> | <p>U </p> <p>Brace Cup 1
5/8" Black</p> <p>SKU: DE8144</p> | <p>V </p> <p>Brace Band 2
1/2" Black</p> <p>SKU: DE8084</p> | <p>G </p> <p>Hinge Male 2 1/2"
Black</p> <p>SKU: DE8216</p> | <p>W </p> <p>Vinyl Cap For 2 1/2"
Post</p> <p>SKU: DE8091</p> |
|--|--|---|--|--|

- | | | | |
|--|---|--|---|
| <p>L </p> <p>Corner Elbow 1
3/8 Black</p> <p>SKU: DE8112</p> | <p>P </p> <p>3/4" Self-Tapping
Screw</p> <p>SKU: DE8450</p> | <p></p> <p>Extension Used on
Corners/Ends 2.5" x 24"(x2)</p> <p>SKU: DE8166</p> | <p>If tensioning is being used:</p> <p></p> <p>2 1/2" alignment band</p> <p>SKU DE8469</p> |
|--|---|--|---|

Steps 9-16

- | | | | | |
|---|---|---|---|---|
| <p>E </p> <p>End Clamp 1
3/8" Black</p> <p>SKU: DE8154</p> | <p>K </p> <p>5/16" x 2" Hot Dip
Galvanized Hex Bolt,
Nut & Washer</p> <p>SKU: DE8044</p> | <p>I. </p> <p>1 3/8" Center
Support Clamp</p> <p>SKU: DE8096</p> | <p>M </p> <p>Turnbuckle</p> <p>SKU: DE8466</p> | <p>N </p> <p>Connector Clip</p> <p>SKU: DE2830</p> |
|---|---|---|---|---|

- | | | | | |
|---|---|--|---|--|
| <p>J </p> <p>Self-Locking Ties</p> <p>SKU: DE2854</p> | <p>H </p> <p>Female Hinge
1 3/8" Black</p> <p>SKU: DE8210</p> | <p>F </p> <p>Fork Latch Assembly
2 1/2" Black</p> <p>SKU: DE8182</p> | <p>Y </p> <p>Drop Rod Receptacle for Dual
Driveway Gates</p> <p>SKU: DE8130</p> | <p>X </p> <p>Drop Rod</p> <p>SKU: DE8128</p> |
|---|---|--|---|--|

6' Dual Leaf Driveway Gate					
H x W	A 1 3/8" Pipe (Qty-4)	B 1 3/8" Pipe (Qty-4)	C 1 3/8" Pipe (Qty-2)	D 1 3/8" Pipe (Qty-4)	Drop Rod Kit
6' x 8'	42 1/2"	68"	41 1/2"	32 1/8"	1
6' x 10'	54 1/2"	68"	53 1/2"	32 1/8"	1
6' x 12'	66 1/2"	68"	65 1/2"	32 1/8"	1
6' x 14'	78 1/2"	68"	77 1/2"	32 1/8"	1
6' x 16'	90 1/2"	68"	89 1/2"	32 1/8"	1

Please Note: If you purchased the 7.5' or 8' dual gate- 2' extensions will be added to this parts list. (The 6 foot will NOT come with extension posts.



Extension Used on
Corners/Ends 2.5" x 24"(x2)

SKU: DE8166

7' Dual Leaf Driveway Gate					
H x W	A 1 3/8" Pipe (Qty-4)	B 1 3/8" Pipe (Qty-4)	C 1 3/8" Pipe (Qty-2)	D 1 3/8" Pipe (Qty-4)	Drop Rod Kit
7' x 8'	42 1/2"	80"	41 1/2"	38 1/8"	1
7' x 10'	54 1/2"	80"	53 1/2"	38 1/8"	1
7' x 12'	66 1/2"	80"	65 1/2"	38 1/8"	1
7' x 14'	78 1/2"	80"	77 1/2"	38 1/8"	1
7' x 16'	90 1/2"	80"	89 1/2"	38 1/8"	1

8' Dual Leaf Driveway Gate					
H x W	A 1 3/8" Pipe (Qty-4)	B 1 3/8" Pipe (Qty-4)	C 1 3/8" Pipe (Qty-2)	D 1 3/8" Pipe (Qty-4)	Drop Rod Kit
8' x 8'	42 1/2"	92"	41 1/2"	44 1/8"	1
8' x 10'	54 1/2"	92"	53 1/2"	44 1/8"	1
8' x 12'	66 1/2"	92"	65 1/2"	44 1/8"	1
8' x 14'	78 1/2"	92"	77 1/2"	44 1/8"	1
8' x 16'	90 1/2"	92"	89 1/2"	44 1/8"	1

Installing the 2 ½ Gate Posts

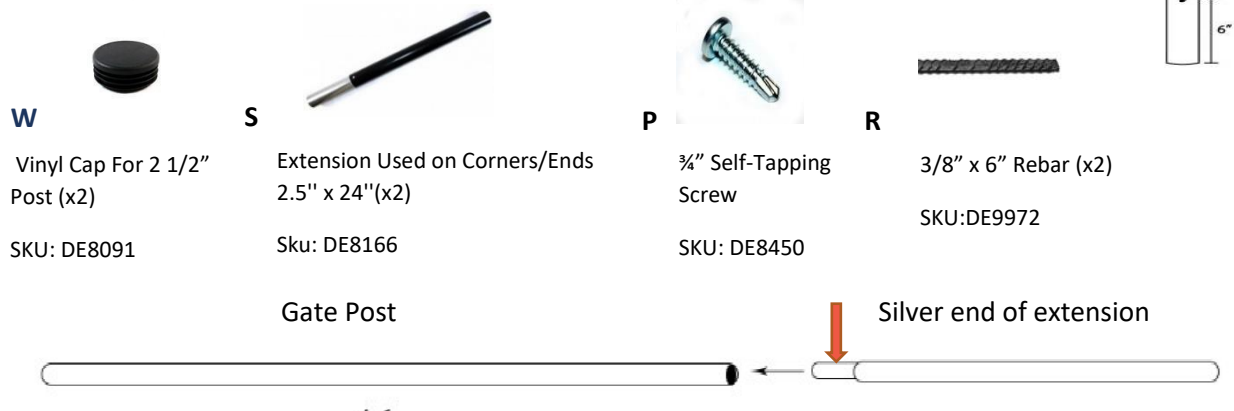
Step 1: Measure and mark the location for your two 2 ½" driveway support posts from inside to inside on the posts.

Gate Width	Inside to Inside
8'	98"
10'	122"
12'	146"
14'	170"

Step 2a: Measure 12" from the bottom of the 2 ½" posts and drill a 3/8" hole for the rebar (R) to go through. This rebar will prevent the 2 ½" posts from rotating when installed in the concrete.

Step 2b: (For 7' & 8' H gates—6' foot does NOT have extensions) Place the 2' extension (S) w/post cap (W) on top of 9' post by sliding silver end inside top of 9' gate post. Secure w/ 2 self-tapping screws (P) near the top of the 9' post.

Parts Needed for 2a & 2b:



W Vinyl Cap For 2 1/2" Post (x2)
SKU: DE8091

S Extension Used on Corners/Ends 2.5" x 24"(x2)
Sku: DE8166

P ¾" Self-Tapping Screw
SKU: DE8450

R 3/8" x 6" Rebar (x2)
SKU: DE9972

Gate Post

Silver end of extension

Step 3: Dig a minimum 36" deep hole and set the 2 ½" posts in concrete. Be sure to put the end with the rebar into the hole. Adjust the hole depth so post is as high as the line posts.

*** Allow posts to set in concrete according to package directions. While the posts are setting up, you can move to the gate panel assembly. Hanging the gate before the concrete has fully set can pull the support posts out of the ground***

If using concrete and the mixture is too runny, you will need a 2"x4" to keep it in place. If concrete is a thicker consistency, it will hold the posts in place.

Step 4: Once the 2 1/2" posts are set, attach the hardware. If you purchased tensioning, be sure to add alignment band to the bottom of the post before brace hardware is added.

Loosely fit the **bottom** male end hinge (**G**) on the 2 1/2" pipe with the male post pointing up to hold the gate door. The **top** male hinge should be pointing down to hold the top of the gate in position. They will be tightened into place when hanging the gate door. Place brace band (**V**) & brace cup (**U**) over 2' end post extension. (This will come with 7' and 8' gates only). The brace band should be approximately 12" from the top of the extension. Add alignment band at top of post IF tensioning was purchased.

Parts Needed:

G

 Hinge Male 2 1/2"
 Black (x2)
 SKU: DE8216

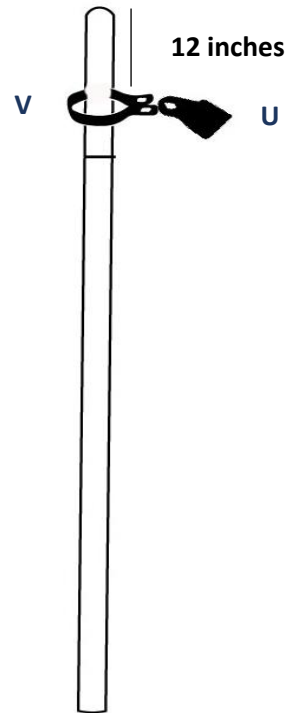
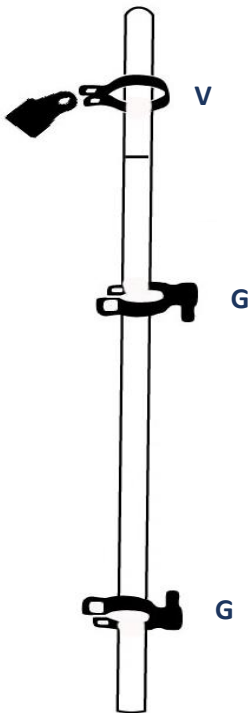
V

 Brace Band 2 1/2"
 Black (x2)
 SKU: DE8084

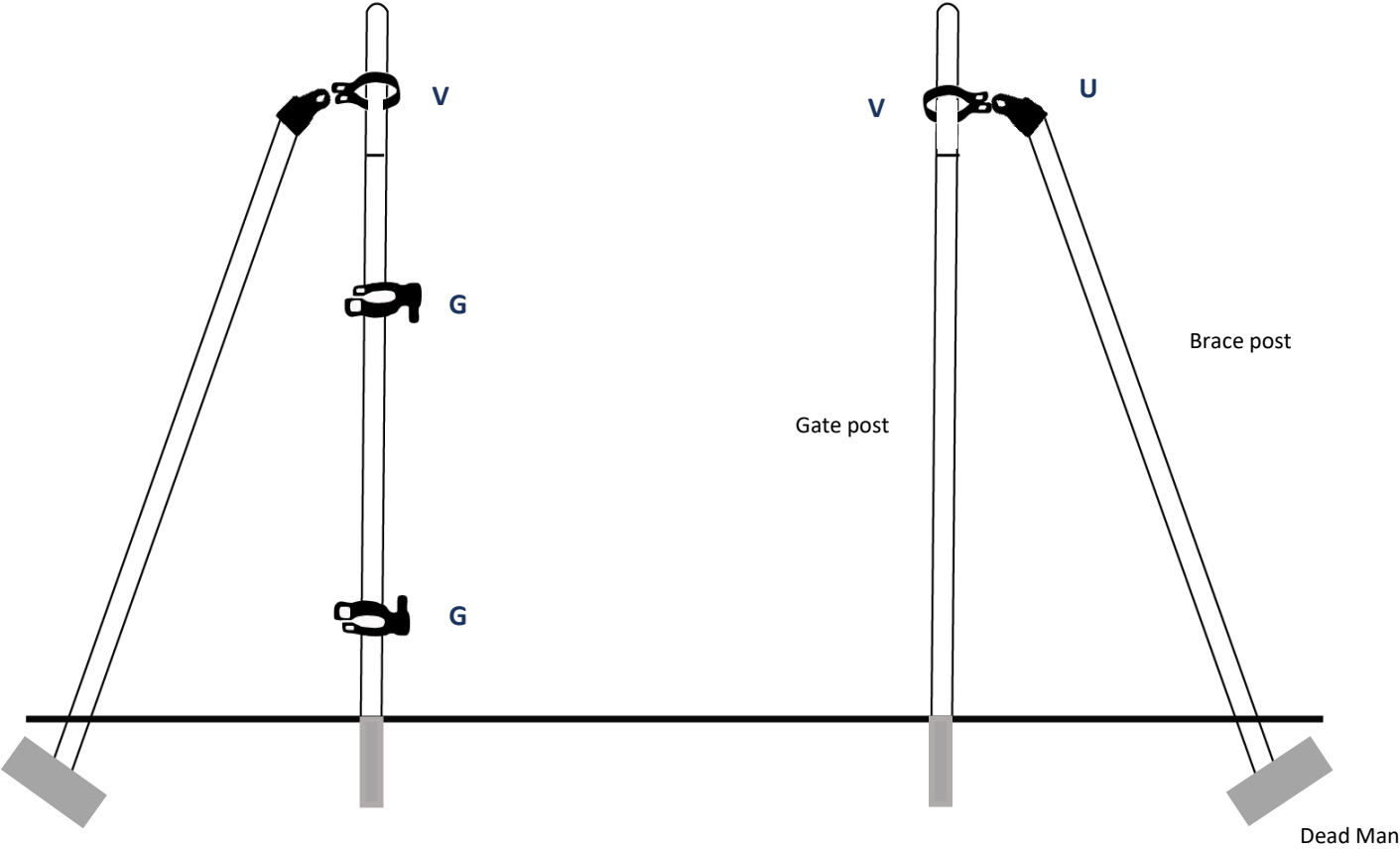
U

 Brace Cup 1 5/8"
 Black (x2)
 SKU: DE8144


 2 1/2 alignment band
 SKU DE8469
 ***If tensioning is used.

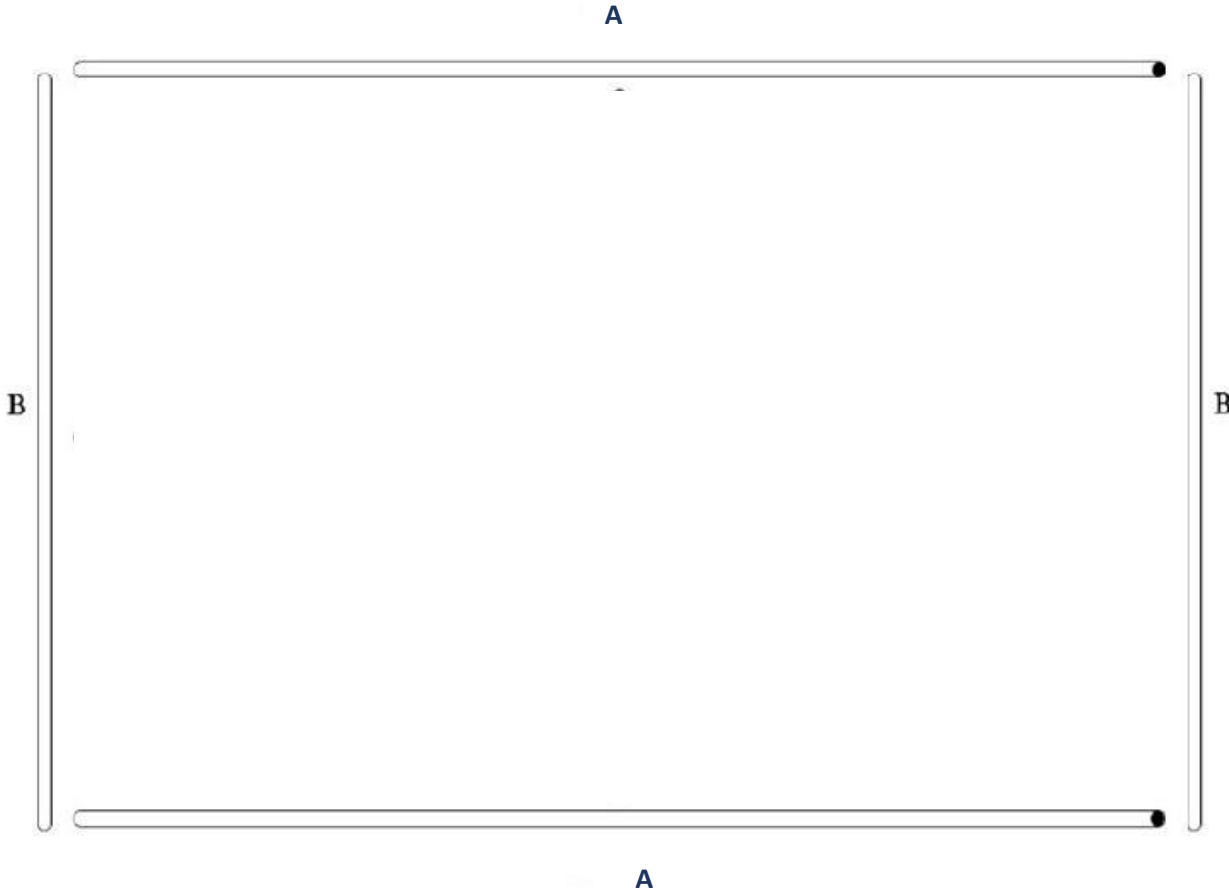


Step 5: Place 9' brace post in the brace cup (**U**). Place the other end of the brace post just inside your fence line. Dig a hole approximately 1' deep and either, cement at least 6" all the way around the brace post or use a dead man. (**Dead Man**- A 4x4, solid cinder block, or even a large rock place perpendicular to the brace post end in the ground.)



Now you are ready for your Gate Panel Assembly

Step 6: Find a flat surface to assemble the gate. If building the gate on a hard surface, use cardboard to prevent scratching the pipes. Start by building your gate panels. Start with your vertical sides **(B)** and horizontal posts **(A)**. Connect the outside pieces together by hand into the corner elbow **(L)**.



Parts Needed:



L

Corner Elbow 1
3/8 Black (x4)

SKU: DE8112

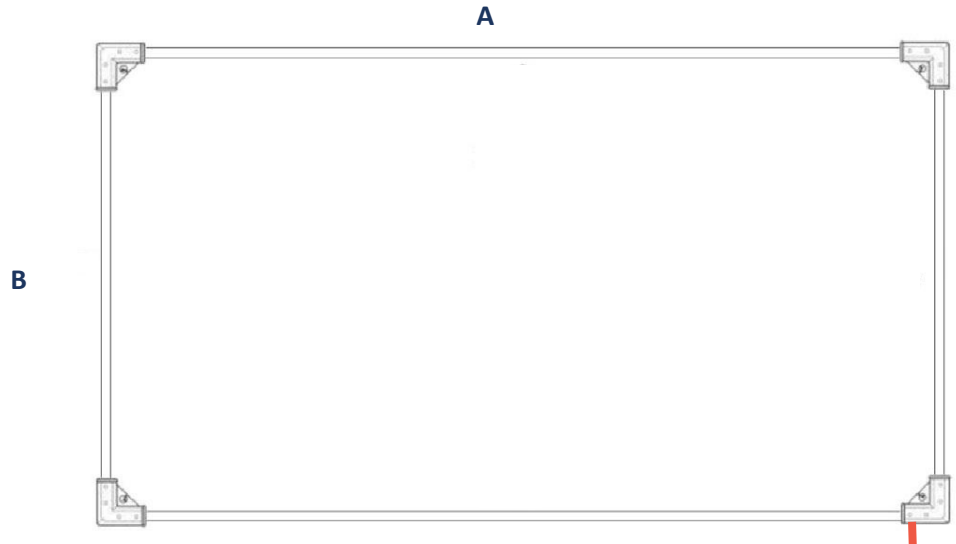
Step 7: Once horizontal pole **(A)** and vertical pole **(B)** are pushed into the corner bracket the whole way (L). Secure each corner bracket **(L)** with 4 self-tapping screws **(P)** using the dimples as a guide.

Parts Needed:



3/8" Self-Tapping
Screw (x16)

SKU: DE8450



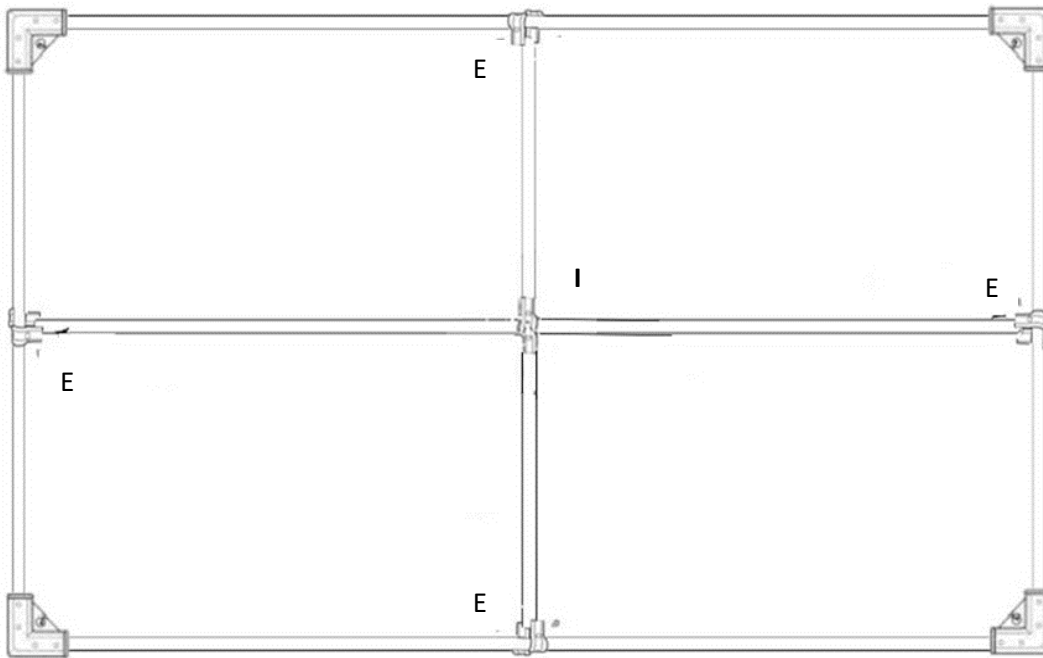
Step 8: Once your panel frame is built, measure to locate the center of the vertical sides **(B)** and mark the location where part **(C)** will be attached.



Step 9: Place the end clamps (**E**) at the mark on pipes C, B, and D and attach horizontal center pole (**C**) to the vertical side poles (**B**) securing with 5/16" x 2" bolt (**K**).

Next, using the bolts, attach the center clamp (**I**) in the middle using the 5/16" x 2" bolts. Be sure that the center clamp goes vertically.

Parts Needed:



Step 10: Hook the turnbuckles (M) through the center holes of the top corner brackets and extend turnbuckles completely.

Step 11: Feed the tension wire through a connector clip, and then loop the wire through the corner bracket on the bottom of the opposite corner. Run the wire back through the connector clip. Take slack out of the wire and tighten connector clip (Part N) securely. Repeat on other side.

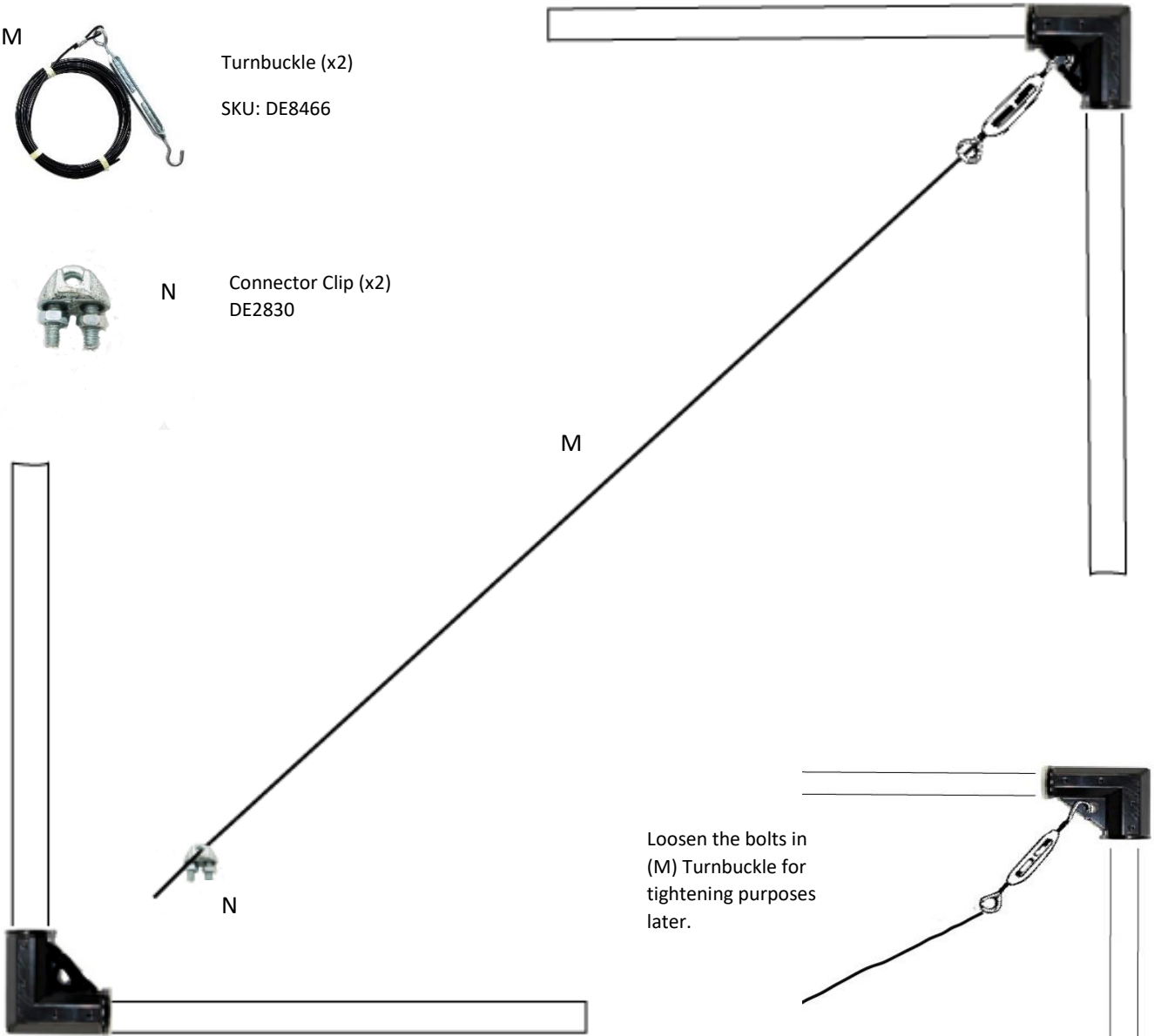
Parts Needed:



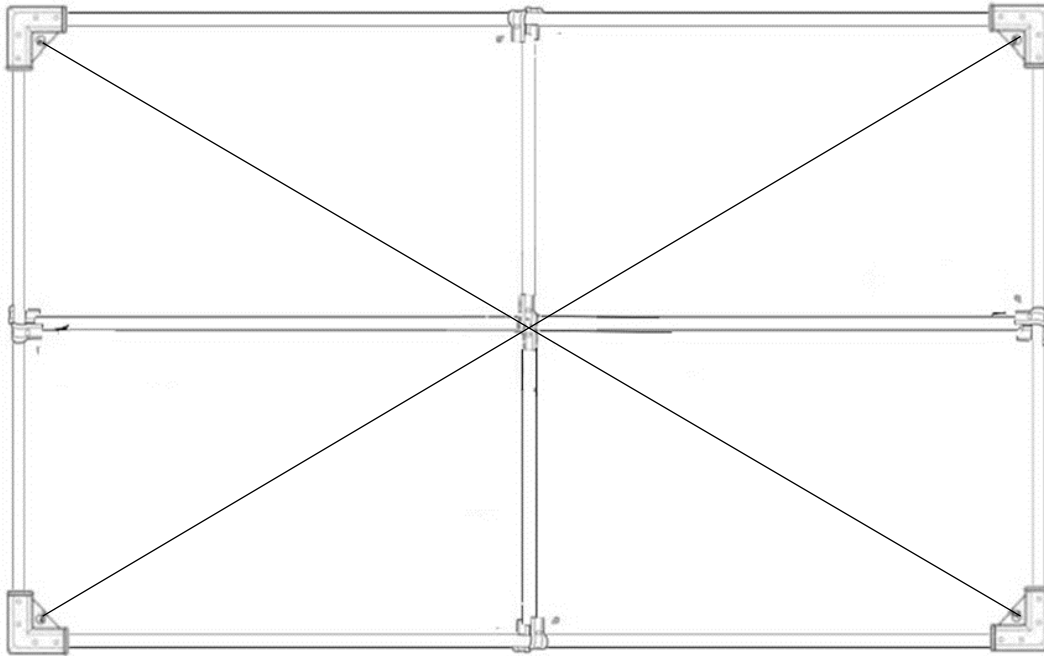
M Turnbuckle (x2)
SKU: DE8466



N Connector Clip (x2)
DE2830



Step 12: Tighten turnbuckles making sure gate is square by measuring them diagonally and adjusting so they are equal.



Step 13: Attach fencing mesh. The mesh will be accounted for based on the roll(s) of fencing you purchased. Turn gate over so that hardware and tension wires are on the bottom side. Attach fence mesh (not included); to your gate frame using self-locking ties (**J**) every 12 inches. Use cutter puller tool (SKU:DE2864) to tighten the self-locking ties (**J**). (It's easiest to attach ties to the left and right, pulling the fence tight, before attaching the ties on the top and bottom)

Parts Needed:

Self- Locking Ties

J

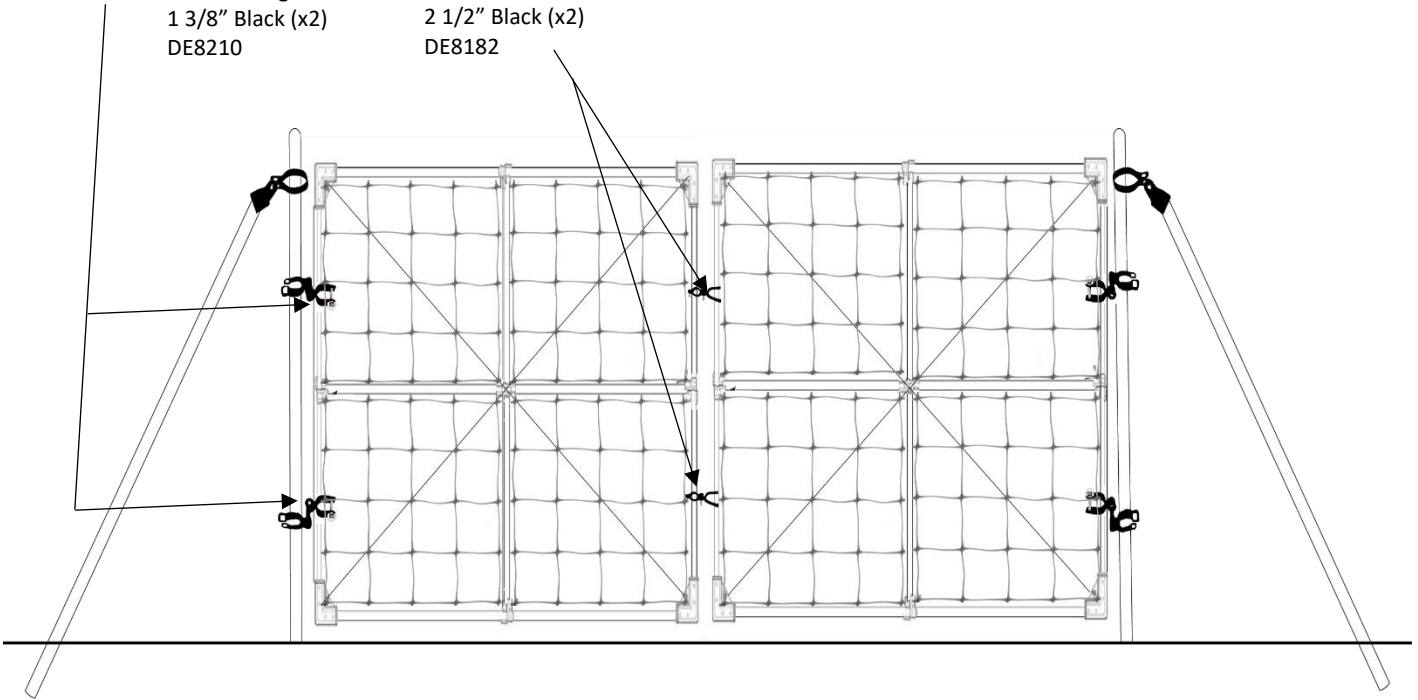
DE2854



Step 14: Attach female hinge (E) to hinge side of your gate. Attach one female hinge 18 inches from the top and the second female hinge 18 inches from the bottom of your gate panel.

Step 15: Assemble and attach latch forks (F), making sure latches are 18 inches from the top and bottom. Attach using the nuts and bolts provided, with the pad lock hole under the latch. Your gate is now ready to hang.

Step 16: Repeat steps 6-14 to build your SECOND gate panel.



Installing Drop Rod Receptacle

Step 16: Attach the 1 3/8" female hinges (**H**) to the gate door WITHOUT the latches (**F**). Be sure to attach both hinges to the same side of the gate. Attach one hinge at the bottom and another approximately 12" from the bottom of the gate.

Step 17: Drive the drop rod receptacle (**Y**) into the ground beneath the hinges until flush with ground. This receptacle will lock the fence in place when the drop rod (**X**) is inserted. Insert drop rod down through the hinges into the receptacle to lock the fence in place.

Parts Needed:

