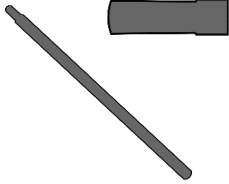
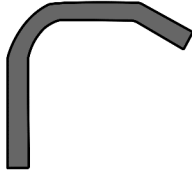
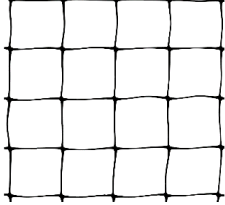
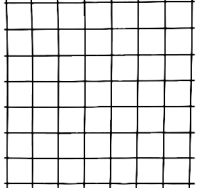

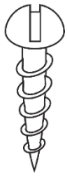

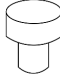
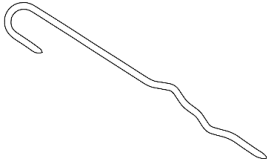

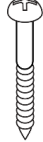


# Kitty Corral Cat Fence System Installation Instructions

## HARDWARE PARTS

| <p><b>A</b></p> <p>QTY: 8 per 100 ft</p>  <p>17 Gauge Black Powder Coated Galvanized Pipe Swedge Edge<br/>(See below for measurements)</p> | <p><b>B</b></p> <p>QTY: 8 per 100 ft</p>  <p>Overhang Cat Fence Extender No Plate<br/>SKU: DE8162</p>                  | <p><b>C</b></p> <p>QTY: 1 ROLL per 100 ft</p>  <p>Poly Fencing<br/>(See below for measurements)</p>                | <p><b>D</b></p> <p>QTY: 1 ROLL per 100 ft</p>  <p>2' x 100' 14 ga. Galvanized Steel Black PVC Coated Welded Wire 1.5" x 1.5" Mesh<br/>SKU: W142100151B</p>                        |
|---|---|--|--|
| <p><b>E</b></p> <p>QTY: 8 per 100 ft</p>  <p>Black Ground Sleeve for 1 3/8" Post<br/>SKU: DE8195</p>                                      | <p><b>F</b></p> <p>QTY: 16 per 100 ft</p>  <p>Self-Tapping Screw 3/8"<br/>SKU: DE9978-1</p>                           | <p><b>G</b></p> <p>QTY: 6 per 100 ft</p>  <p>8" High Strength Nylon Self-Locking Ties – 100pk<br/>SKU: DE2854</p> | <p><b>H</b></p> <p>QTY: 1</p>  <p>Drive Cap for 1 3/8" Post Sleeve<br/>SKU: DE2810</p>   |
| <p><b>I</b></p> <p>QTY: 60 per 100 ft</p>  <p>12" Kinked Ground Stakes<br/>SKU: DE2878-30</p>  | <p><b>J</b></p> <p>QTY: 6 per 100 ft</p>  <p>U Clamp Wall Mount Black Powder Coated Steel 1 3/8"<br/>SKU: DE8100</p> | <p><b>K</b></p> <p>QTY: 12 per 100 ft</p>  <p>Wood Locking Flat Button Screw 1 1/2"<br/>SKU: DE9980</p>          | <p><b>Recommended Tools (not included)</b></p> <ul style="list-style-type: none"> <li>Power Drill with 5/16" Drill Bit</li> <li>Sledgehammer</li> <li>Tape Measure</li> <li>Earth Auger</li> <li>Digging Bar (For rocky/hard ground)</li> <li>String Line</li> </ul> |

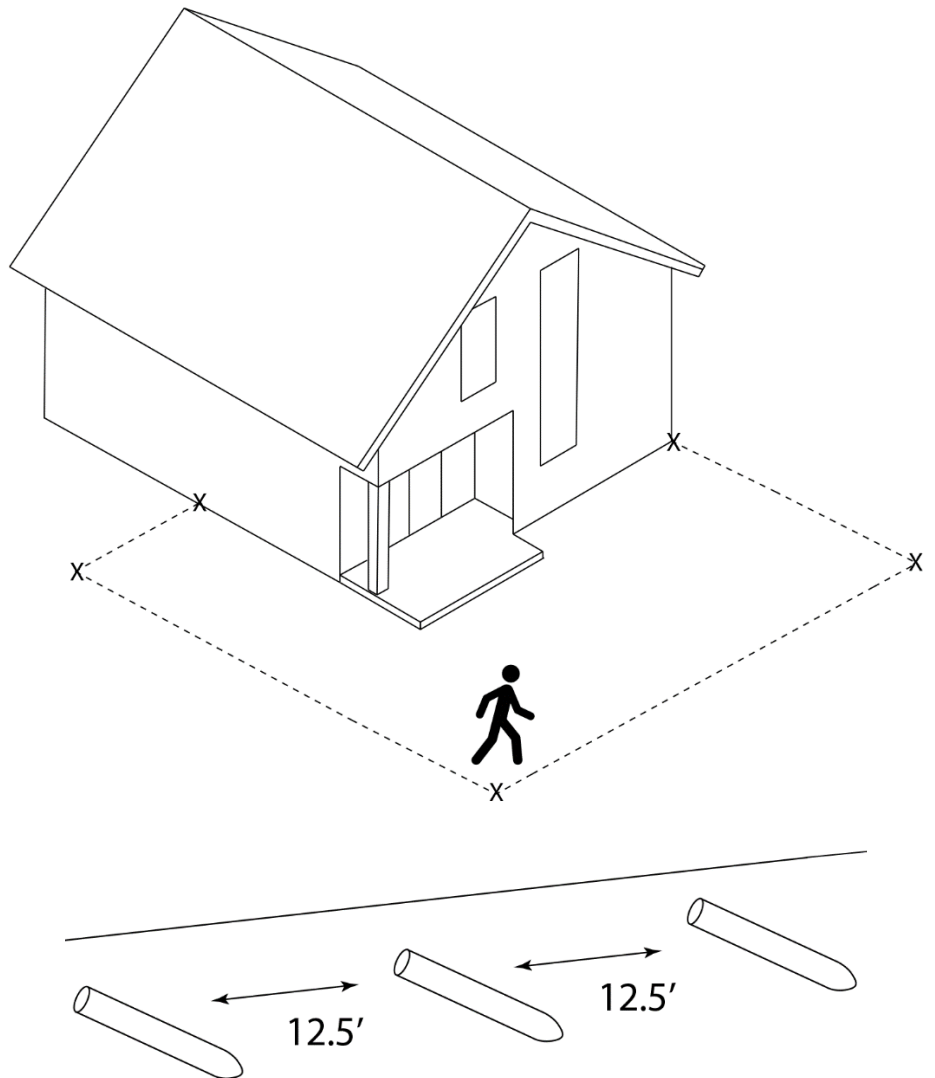
| 7.5' Kitty Corral System |                   |  |              | 6' Kitty Corral System |  |        |
|--------------------------|-------------------|--|--------------|------------------------|--|--------|
|                          | Qty               | Pipe/Fence Height  | SKU          | Qty                    | Pipe/Fence Height  | SKU    |
| <b>Line Posts (A)</b>    | 8 per 100 ft      | 17 Gauge Black Powder Coated Galvanized Pipe 1 3/8" x 92" Swedge End | DE9564-092SE | 8 per 100 ft           | 17 Gauge Black Powder Coated Galvanized Pipe 1 3/8" x 73" Swedge End | DE8400 |
| <b>Fence Mesh (C)</b>    | 1 Roll Per 100 ft | 7.5' x 100' Poly Fencing   | DE1071       | 1 Roll Per 100 ft      | 6' x 100' Poly Fencing   | DE1061 |

# Kitty Corral Cat Fence System Installation Instructions

1. Lay out the fence design and place all end/corner posts. If you did not purchase corners/ends in your kit, place posts where the ends/corners would be. Pull a string between the corners to determine the fence line for post placement. Place **GROUND SLEEVES (E)** at intervals of no more than 12.5' along your fence line.

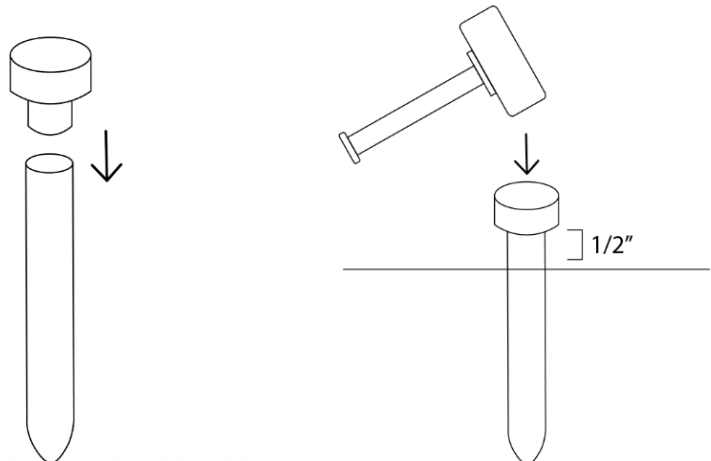
**Note:** It is very important to determine the location of all posts before driving the sleeves into the ground. Posts will need to be placed at all changes in direction and steep changes in grade. On hard ground it may be necessary to use an **EARTH AUGER (Sold Separately; SKU: DE8188)** or **DIGGING BAR** to make a hole before driving the ground sleeves in.

1.



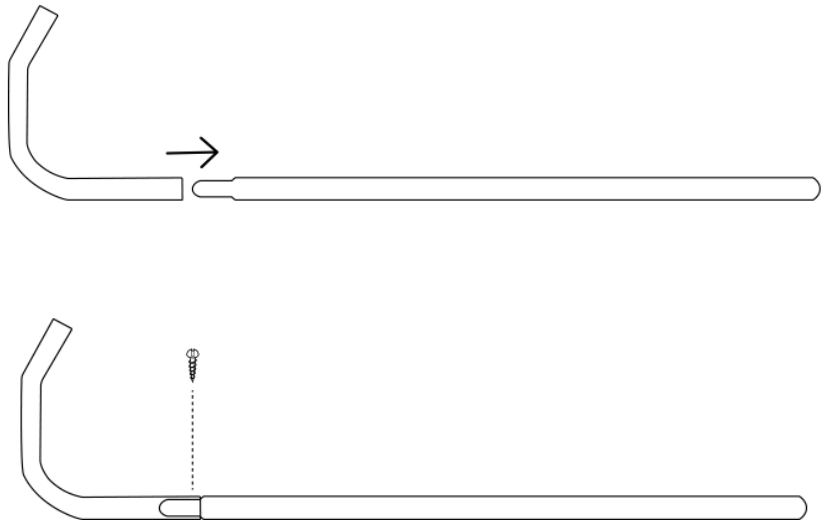
2. Using the provided **DRIVE CAP (H)** and a sledgehammer, drive the **GROUND SLEEVES (E)** into the ground leaving  $\frac{1}{2}$ " above ground to keep out debris and allow for securing the post. Care should be taken to ensure that the sleeves are as straight as possible.

2.



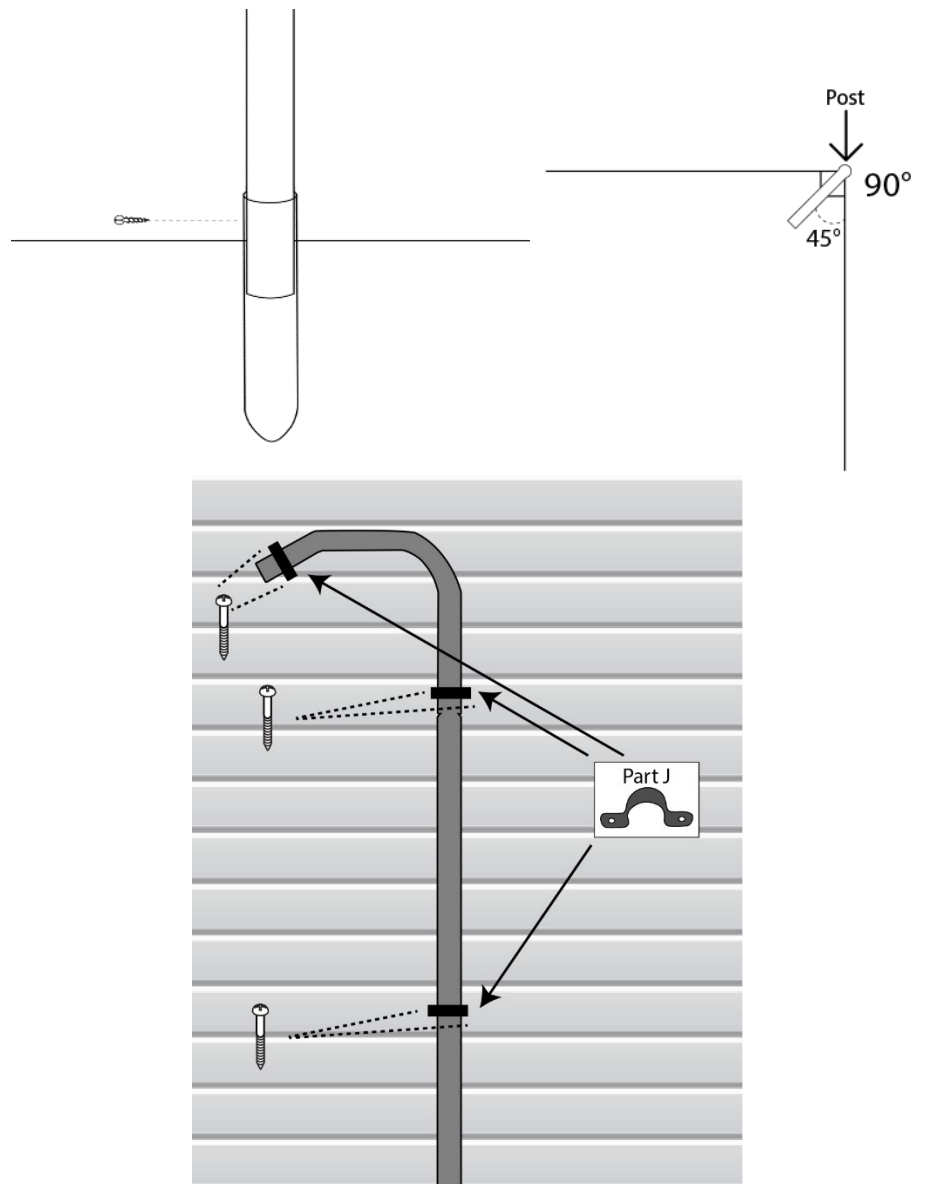
3. Place each **POST (A)** flat on the ground, insert the **EXTENDER (B)**, and join the two with a **SELF-TAPPING SCREW (F)**. Repeat with all 8 posts.

3.



4. Slide the **POSTS (A)** into the **SLEEVES (E)** so that the **EXTENDERS (B)** face the inside of the enclosure. When placing the **EXTENDERS (B)** on a turn or corner, make sure that the extension is in the middle of your turn. For example, a 90-degree turn would have the extension set at a 45-degree angle. Lock posts into place by screwing through the sleeve and into the post using a **SELF-TAPPING SCREW (F)**. If the post is up against a house or building, you will need to use the **WALL MOUNTING BRACKETS (J)** and the proper **SCREWS (K)** for your housing material to attach the **POST (A)** to the wall. Use 3 **WALL MOUNTING BRACKETS (J)** one on the **POST (A)** and two on the **EXTENDER (B)**.

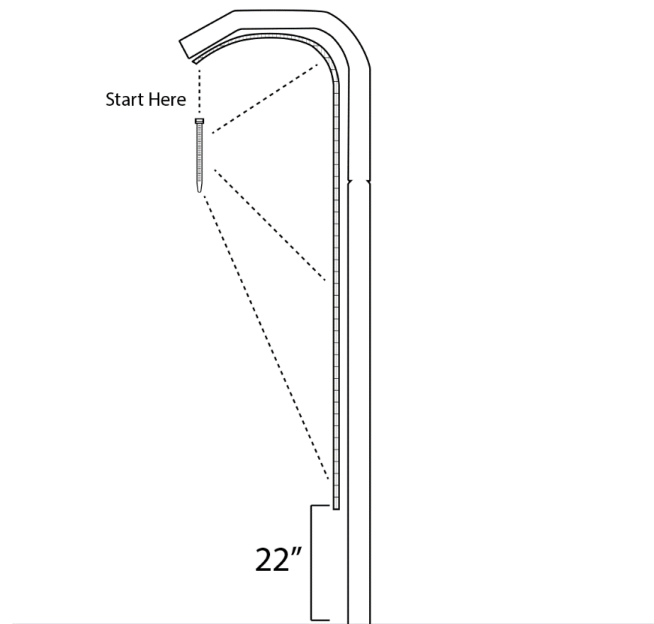
4.



5. Attach the **POLYPROPYLENE FENCING (C)** to the tip of the **EXTENDER (B)** with a **SELF-LOCKING ZIP TIE (G)**. Run the fencing along the top of the extender on the inside of the post. Continue running the fence along the inside of the post securing with a **SELF-LOCKING ZIP TIE (G)** at the top, middle, and bottom of the fence. Significant grade changes will require cutting the fence at a post and restarting the mesh on the new grade.

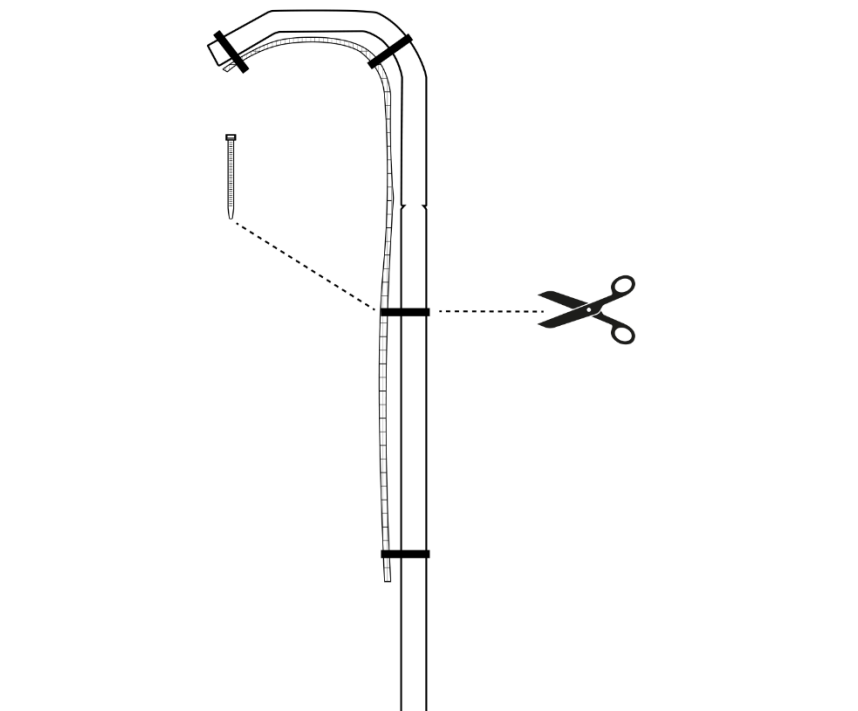
**Note:** There will be a gap of approximately 22" between the bottom of the **POLYPROPYLENE FENCE (C)** and the ground. This is where the welded wire chew barrier, **RODENT FENCING (D)**, will be attached.

5.



6. **BEFORE CUTTING THE POLYPROPYLENE FENCE-** Check to make sure the fencing is straight and even. You may need to go back and correct any places where the fencing is uneven or rippled. This can be accomplished by cutting loose the existing tie and placing a **SELF-LOCKING ZIP TIE (G)** in the correct position.

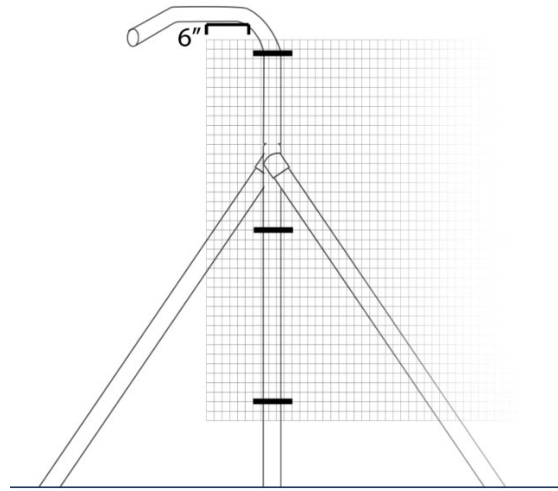
6.



7. Extend the fencing past your corner posts by at least 6" before securing with **SELF-LOCKING ZIP TIES (G)**. After attaching the ties, you can trim excess fencing.

**Note:** When corner posts are installed as described in **STEP 4**, the overlap allows for the fence to be installed properly.

7.

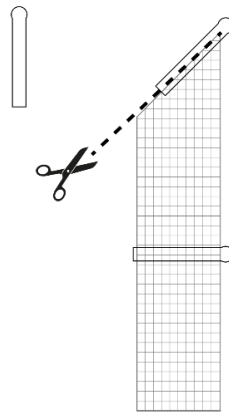


(If you purchased corners in kit, they will come with extra posts for bracing. See Kitty Corral Corner Instructions for in depth instructions.)

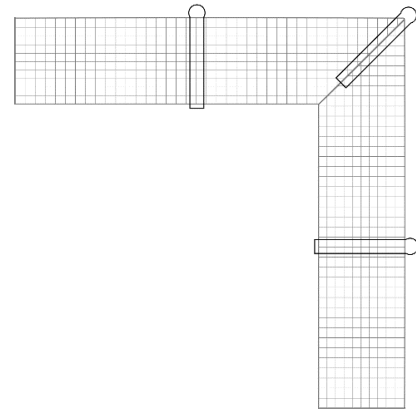
8. Start your new run of fence on the same corner post that you ended on. Going the opposite direction, overlap the fence by 6" and secure it using **SELF-LOCKING ZIP TIE (G)**. Trim away excess and continue to the next line post.

8.

Birds Eye View

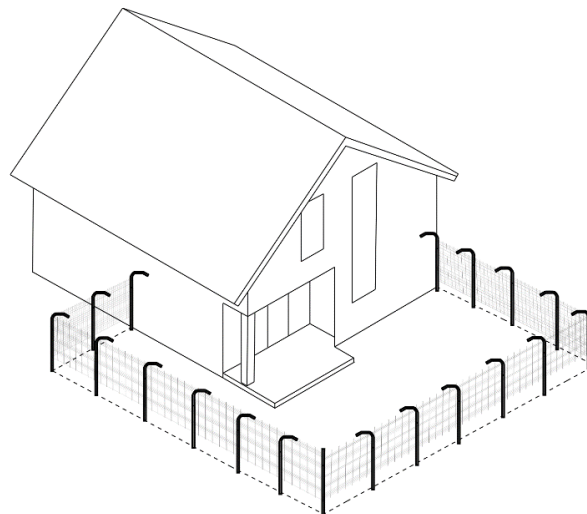


Birds Eye View



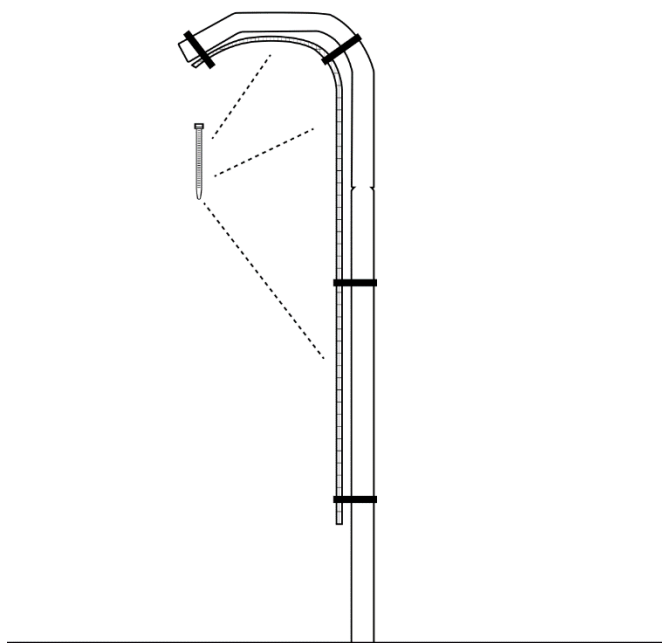
9. Repeat steps 1-8 for all other sides of your fence.

9.



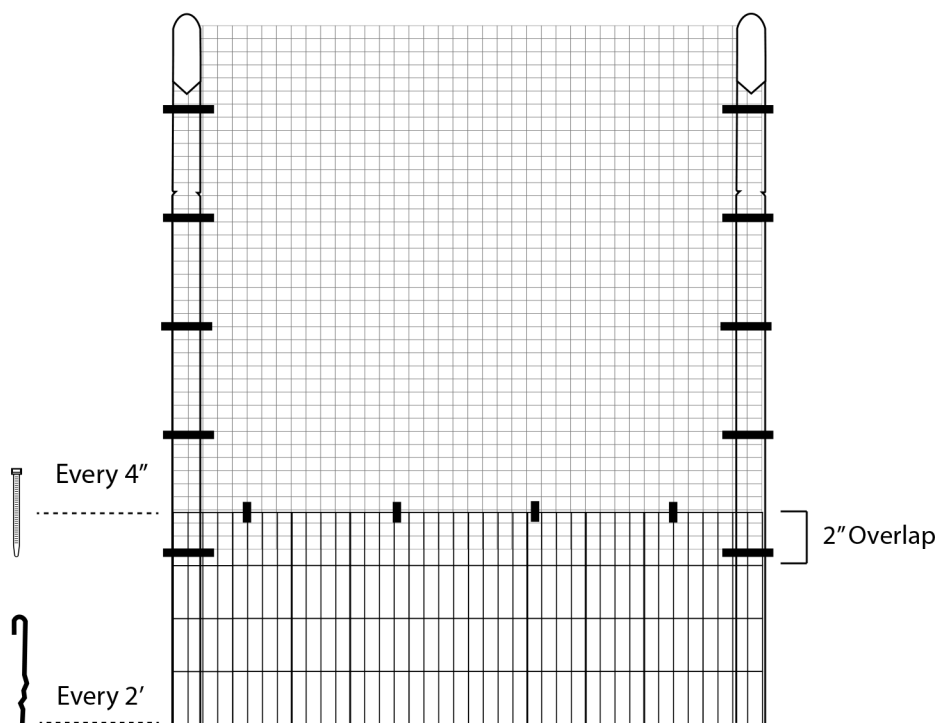
10. Shorten the gaps between self-locking zip ties on the post by placing additional **SELF-LOCKING ZIP TIE (G)** at 1-foot intervals. On the corners or anywhere the fence has been cut, attach **SELF-LOCKING ZIP TIE (G)** will need to be attached every 4”.

10.



11. Unroll the **RODENT FENCING (D)** and overlap it with the existing installed fencing. You will want to allow approximately 2” of overlap on your fencing. Deal with small terrain irregularities between posts by filling in with tamped soil to the bottom of the fence. Attach the wire mesh fence to the **POLYPROPYLENE FENCE (C)** using a **SELF-LOCKING ZIP TIE (G)** every 4”. Finally, tack down the **RODENT FENCING (D)** at 2-foot intervals with the **KINKED GROUND STAKES (I)**.

11.



**Important Notes:**

Remember to install all line posts and gate posts before starting to set up the fence.

When unrolling the fence, tie it to the posts before making any cuts to ensure that the fence is well attached. Do not make the fence too tight as it can facilitate a stronger hold for cats to potentially climb.