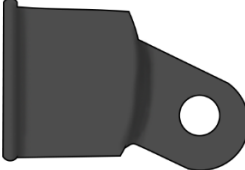

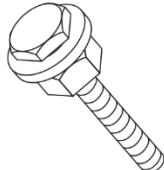

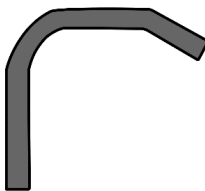
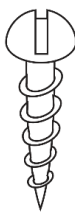
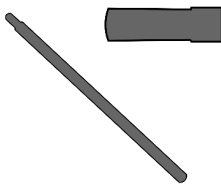



Kitty Corral Cat Fence End Installation Instructions

HARDWARE PARTS

<p>A QTY: 2</p>  <p>1 3/8" Brace Cup Black SKU: DE8142-1</p>	<p>B QTY: 2</p>  <p>1 3/8" Brace Band Black SKU: DE8078</p>	<p>C QTY: 2</p>  <p>Carriage Bolt w/Washer & Nut Hot Dip Galvanized - 5/16" x 1 1/2" SKU: DE8042</p>	<p>D QTY: 2</p>  <p>Black Ground Sleeve for 1 3/8" Post SKU: DE8195</p>
<p>E QTY: 2</p>  <p>Overhang Cat Fence Extender No Plate SKU: DE8162</p>	<p>F QTY: 6</p>  <p>Self-Tapping Screw 3/4" SKU: DE9978-1</p>	<p>G QTY: 2</p>  <p>17 Gauge Black Powder Coated Galvanized Pipe Swedge End (See below for measurements)</p>	<p>H QTY: 2</p>  <p>17 Gauge Black Powder Coated Galvanized Pipe (See below for measurements)</p>

Recommended Tools (not included)

Power Drill with 5/16" Drill Bit

Socket Wrench 5/16" or Adjustable wrenches

Sledgehammer or Earth Auger/Digging Bar

Pipes Part List

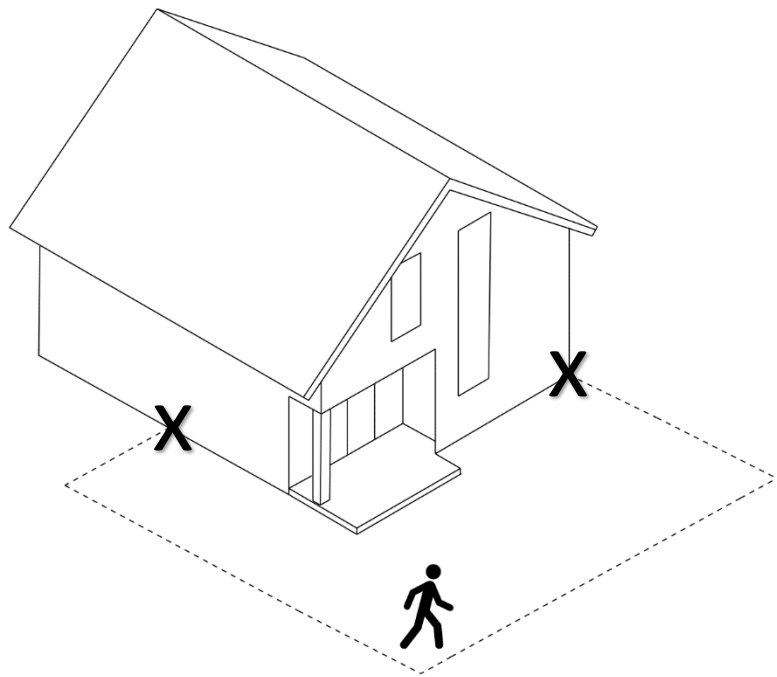
	End for 7.5' Kitty Corral System			End for 6' Kitty Corral System		
	Qty	Pipe Measurement	SKU	Qty	Pipe Measurement	SKU
Corner Posts (G)	2	17 Gauge Black Powder Coated Galvanized Pipe 1 3/8" x 92" Swedge End	DE9564-092SE	2	17 Gauge Black Powder Coated Galvanized Pipe 1 3/8" x 73" Swedge End	DE8400
Brace Posts (H)	2	17 Gauge Black Powder Coated Galvanized Steel Pipe 1 3/8" x 96"	DE8353-096	2	17 Gauge Black Powder Coated Galvanized Steel Pipe 1 3/8" x 96"	DE8353-096

Kitty Corral Cat Fence End Installation Instructions

1. Lay out your fence design, taking care to note where your ends are going to be placed within the system.

Note: Ends should be placed anywhere the fence is terminating. Either against an existing structure like a house/shed or another fence line.

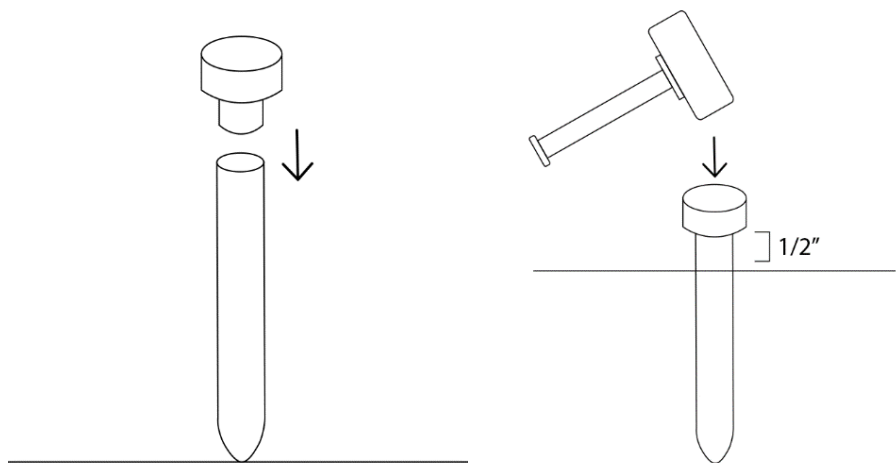
1.



2. Using a **DRIVE CAP (Sold Separately; SKU: DE2810)** and a sledgehammer, drive the **GROUND SLEEVES (D)** into the ground leaving $\frac{1}{2}$ " above ground to keep out debris and allow for securing the post. Care should be taken to ensure that the sleeves are as straight as possible.

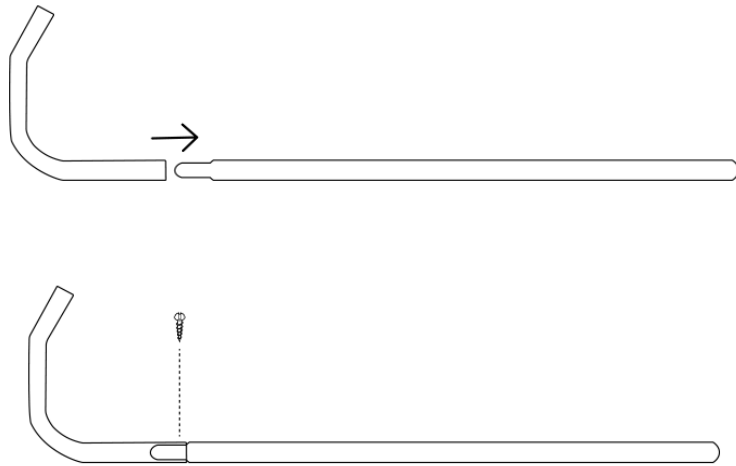
Note: On hard ground it may be necessary to use an **EARTH AUGER (Sold Separately; SKU: DE8188)** or **DIGGING BAR** to make a hole before driving the ground sleeves in.

2.



3. Place each **END POST (G)** flat on the ground, insert the **EXTENDER (E)**, and join the two with a **SELF-TAPPING SCREW (F)**. Repeat with second post.

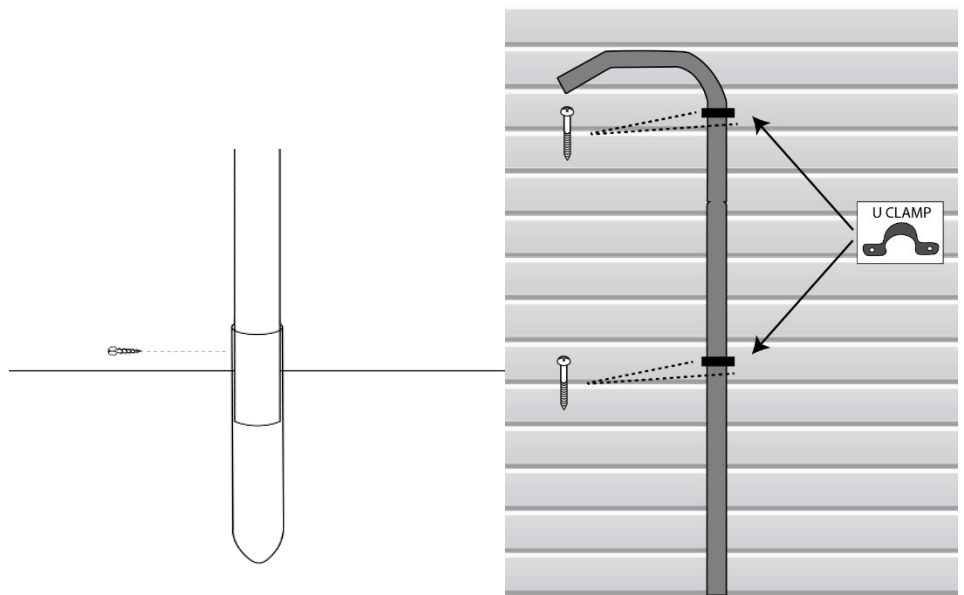
3.



4. Slide the **POSTS (G)** into the **SLEEVES (D)** so that the **EXTENDERS (E)** face the inside of the enclosure. Lock posts into place by screwing through the sleeve and into the post using a **SELF-TAPPING SCREW (F)**.

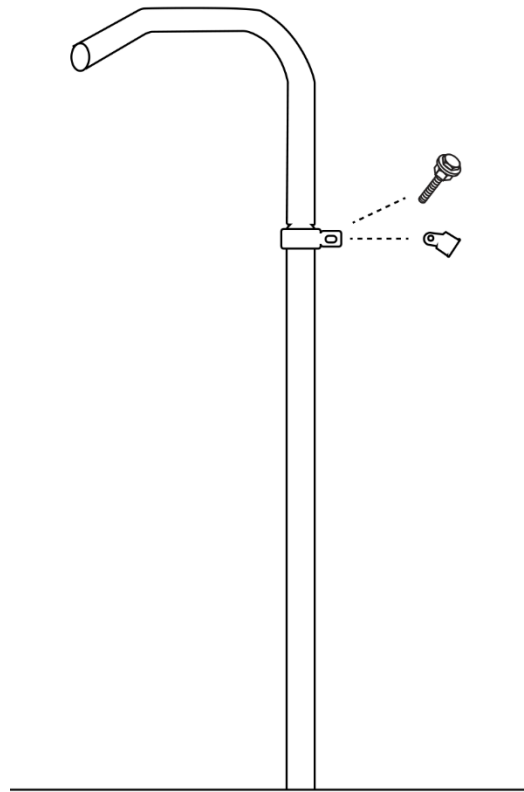
4.

Note: You can attach the post to an existing structure using **U CLAMP WALL MOUNT, SKU: DE8100, Sold Separately**. We recommend using two clamps: one on the post and one on the extender. Attach clamp using the proper **SCREWS, Sold Separately** for your housing material to attach the **END POST (G)** to the wall.



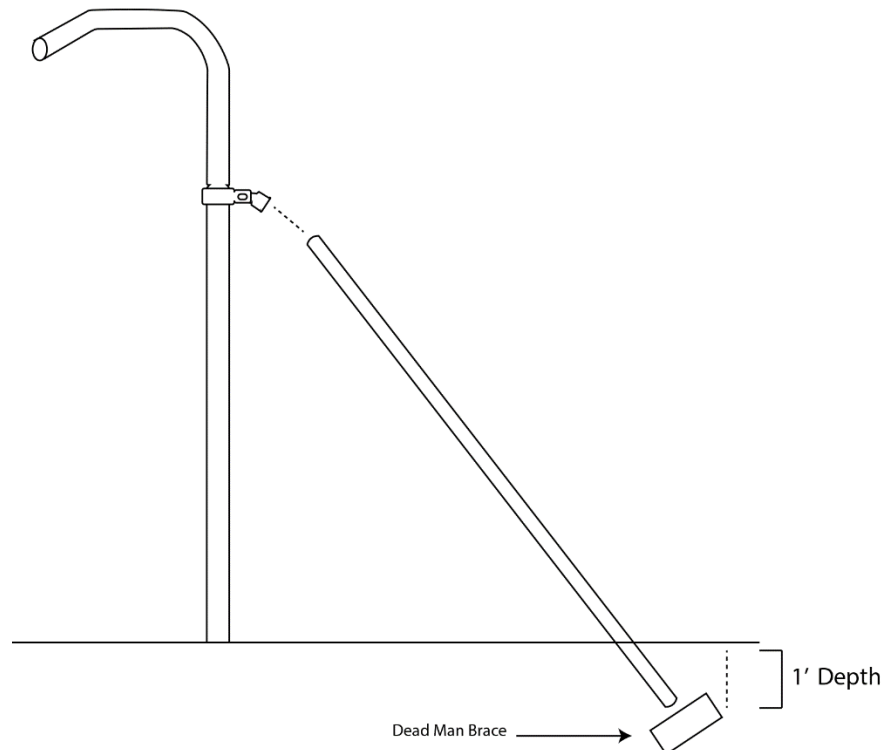
5. Slip **BRACE BAND (B)** and **BRACE CUP (A)** under where the **EXTENDER (E)** was attached to the **END POST (G)**. When attaching the **BRACE CUP (A)** to the **BRACE BAND (B)**, position the cup so that the **BRACE POST (H)** will be on the **OUTSIDE** of the fence line. Use **CARRIAGE BOLT (C)** to hold the **BRACE BAND (B)** and **BRACE CUP (A)** in position. Do not fully tighten.

5.



6. After the band is installed, place **your BRACE POST (H)** into the **BRACE CUP (A)** just outside the fence line. At the point where the post meets the ground, you will need to dig a hole approximately, 1' deep. Set the **BRACE POST (H)** into the hole and use a dead man brace to secure the post.

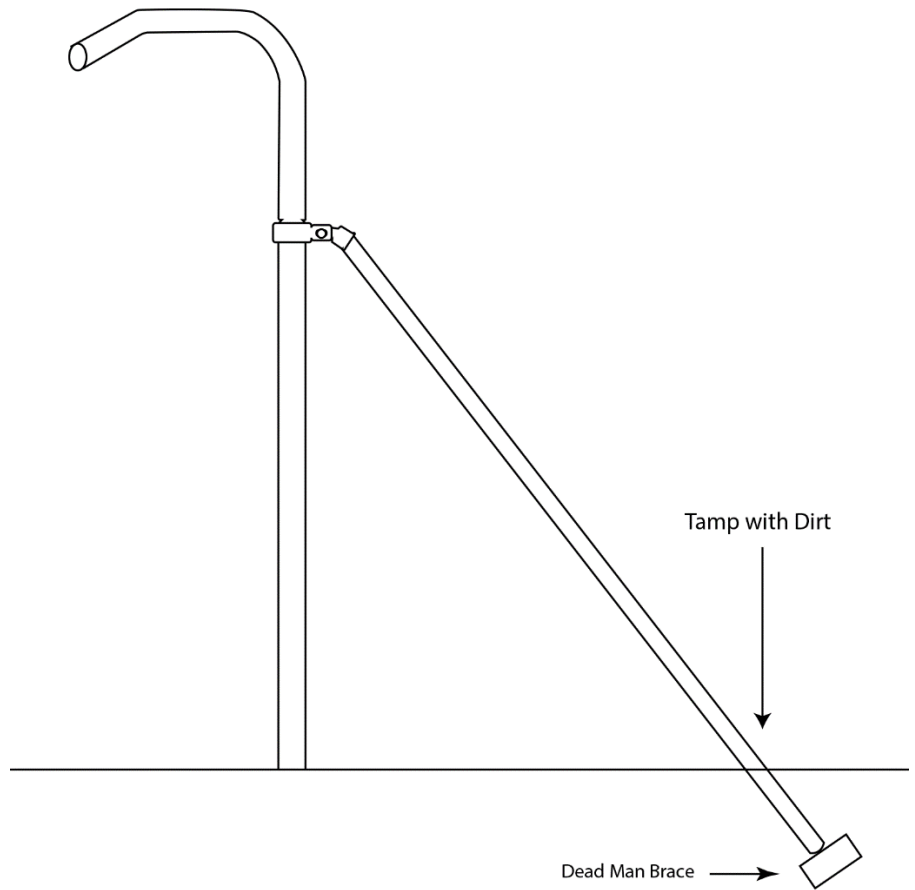
6.



Note: A dead man brace is a brace put into the ground to hold the brace post in position. You can use a cinderblock or a large sturdy piece of wood as the dead man. Alternatively, you can cement the brace post if you choose.

7. Once the dead man is in place, adjust your **BRACE POST (H)** so it rests tightly against the dead man. Fill the hole back up with dirt and tamp down. Once the post is secured, tighten the **CARRIAGE BOLTS (C)** on the brace band.

7.



Birds Eye View

