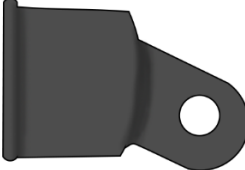

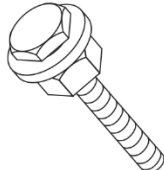

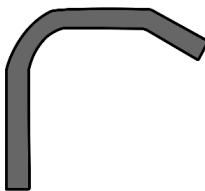
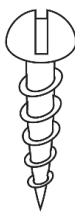
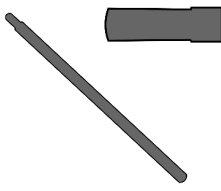



# Kitty Corral Cat Fence Corner Installation Instructions

## HARDWARE PARTS

<p><b>A</b> QTY: 4</p>  <p>1 3/8" Brace Cup Black SKU: DE8142-1</p>	<p><b>B</b> QTY: 4</p>  <p>1 3/8" Brace Band Black SKU: DE8078</p>	<p><b>C</b> QTY: 4</p>  <p>Carriage Bolt w/Washer &amp; Nut Hot Dip Galvanized - 5/16" x 1 1/2" SKU: DE8042</p>	<p><b>D</b> QTY: 2</p>  <p>Black Ground Sleeve for 1 3/8" Post SKU: DE8195</p>
<p><b>E</b> QTY: 2</p>  <p>Overhang Cat Fence Extender No Plate SKU: DE8162</p>	<p><b>F</b> QTY: 8</p>  <p>Self-Tapping Screw 3/4" SKU: DE9978-1</p>	<p><b>G</b> QTY: 2</p>  <p>17 Gauge Black Powder Coated Galvanized Pipe Swedge End (See below for measurements)</p>	<p><b>H</b> QTY: 4</p>  <p>17 Gauge Black Powder Coated Galvanized Pipe (See below for measurements)</p>

### Recommended Tools (not included)

Power Drill with 5/16" Drill Bit

Socket Wrench 5/16" or Adjustable wrenches

Sledgehammer or Earth Auger/Digging Bar

### Pipes Part List

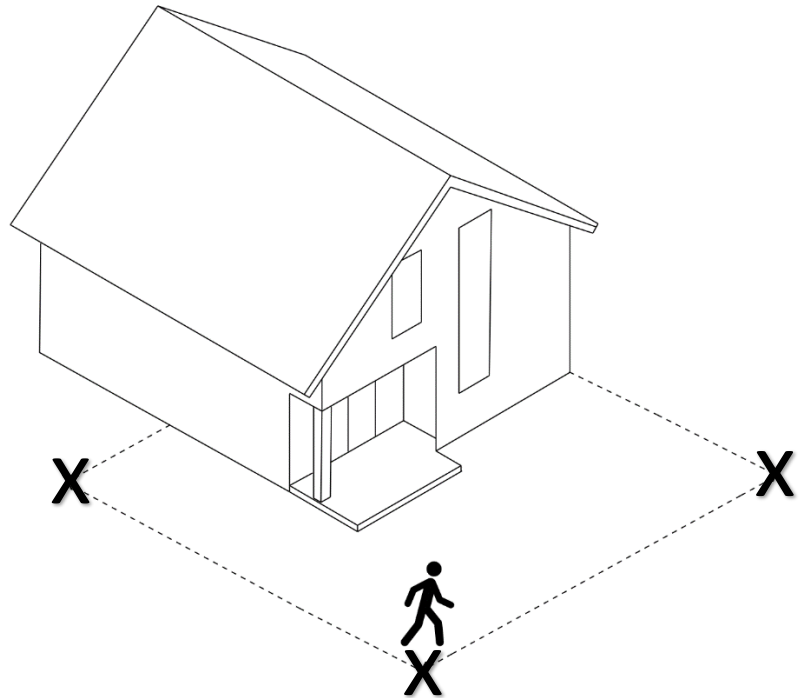
	Corner for 7.5' Kitty Corral System			Corner for 6' Kitty Corral System		
	Qty	Pipe Measurement	SKU	Qty	Pipe Measurement	SKU
<b>Corner Posts (G)</b>	2	17 Gauge Black Powder Coated Galvanized Pipe 1 3/8" x 92" Swedge End	DE9564-092SE	2	17 Gauge Black Powder Coated Galvanized Pipe 1 3/8" x 73" Swedge End	DE8400
<b>Brace Posts (H)</b>	4	17 Gauge Black Powder Coated Galvanized Steel Pipe 1 3/8" x 96"	DE8353-096	4	17 Gauge Black Powder Coated Galvanized Steel Pipe 1 3/8" x 96"	DE8353-096

## Kitty Corral Cat Fence Corner Installation Instructions

1. Lay out your fence design, taking care to note where your corners are going to be placed within the system.

**Note:** Corners should be placed anywhere the fence is turning more than 45-degrees.

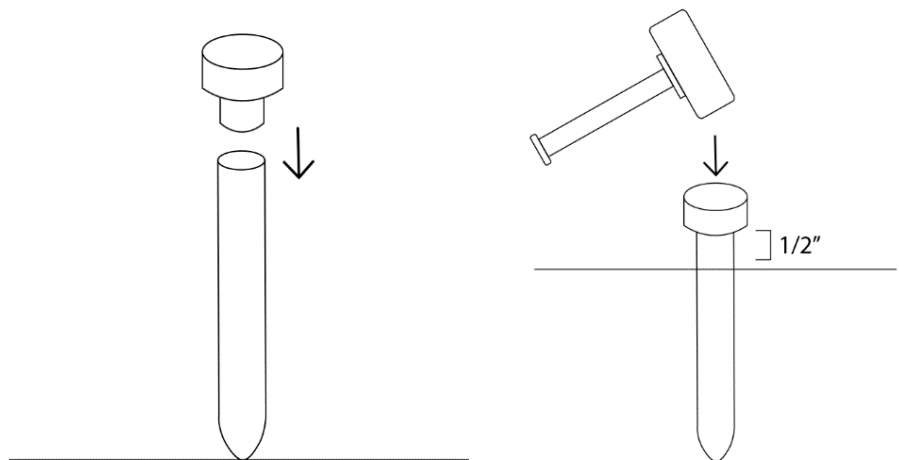
**1.**



2. Using a **DRIVE CAP (Sold Separately; SKU: DE2810)** and a sledgehammer, drive the **GROUND SLEEVES (D)** into the ground leaving  $\frac{1}{2}$ " above ground to keep out debris and allow for securing the post. Care should be taken to ensure that the sleeves are as straight as possible.

**Note:** On hard ground it may be necessary to use an **EARTH AUGER (Sold Separately; SKU: DE8188)** or **DIGGING BAR** to make a hole before driving the ground sleeves in.

**2.**



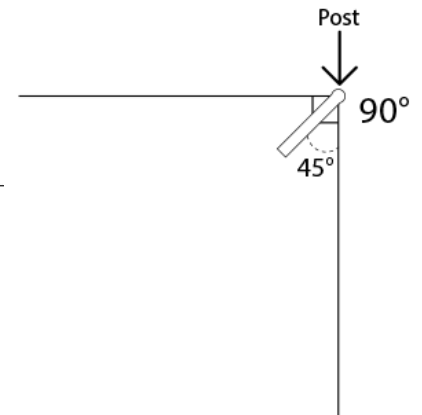
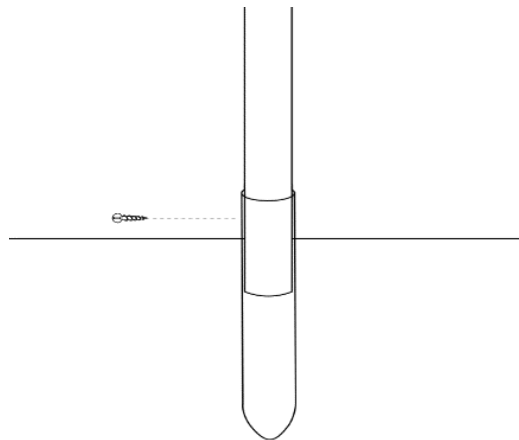
3. Place each **CORNER POST (G)** flat on the ground, insert the **EXTENDER (E)**, and join the two with a **SELF-TAPPING SCREW (F)**. Repeat with second post.

3.



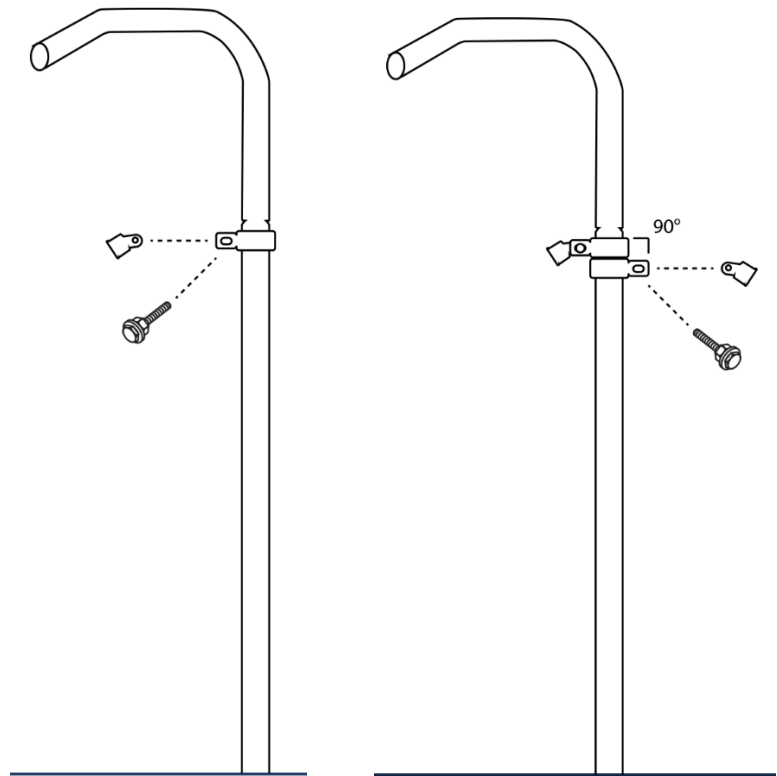
4. Slide the **POSTS (G)** into the **SLEEVES (D)** so that the **EXTENDERS (E)** face the inside of the enclosure. When placing the **EXTENDERS (E)** for your corner make sure that the extension is in the middle of your turn. For example, a 90-degree turn would have the extension set at a 45-degree angle. Lock posts into place by screwing through the sleeve and into the post using a **SELF-TAPPING SCREW (F)**.

4.



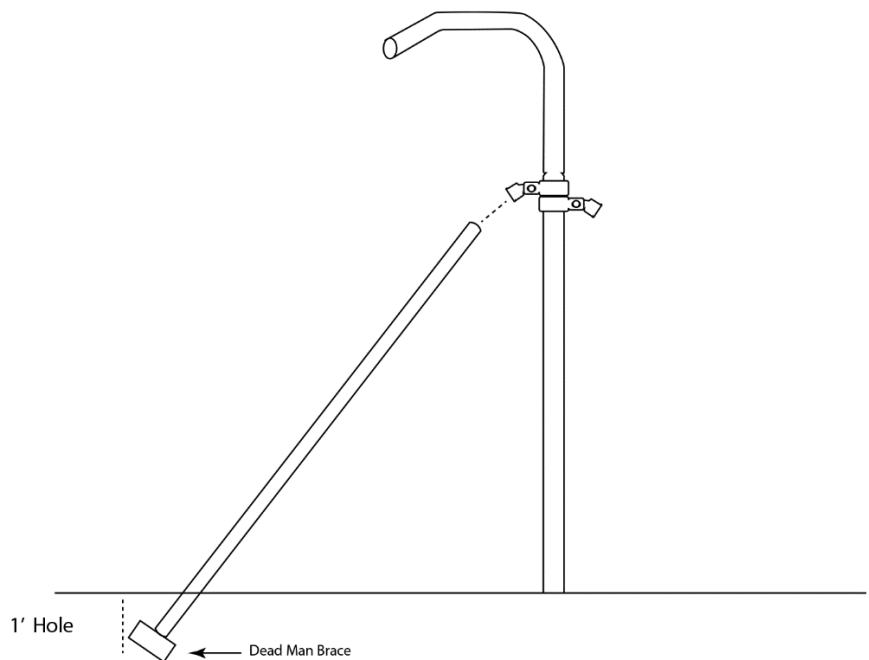
5. Slip **BRACE BAND (B)** and **BRACE CUP (A)** under where the **EXTENDER (E)** was attached to the **CORNER POST (G)**. When attaching the **BRACE CUP (A)** to the **BRACE BAND (B)**, position the cup so that the **BRACE POST (H)** will be on the **OUTSIDE** of the fence line. Use **CARRIAGE BOLT (C)** to hold the **BRACE BAND (B)** and **BRACE CUP (A)** in position. Do not fully tighten. After installing the first band, install the second band directly underneath first at a 90-degree angle to the first brace cup.

5.



6. After the bands are installed, place **your BRACE POST (H)** into the **BRACE CUP (A)** just outside the fence line. At the point where the post meets the ground, you will want to dig a hole approximately, 1' deep. Set the **BRACE POST (H)** into the hole and use a dead man brace to secure the post.

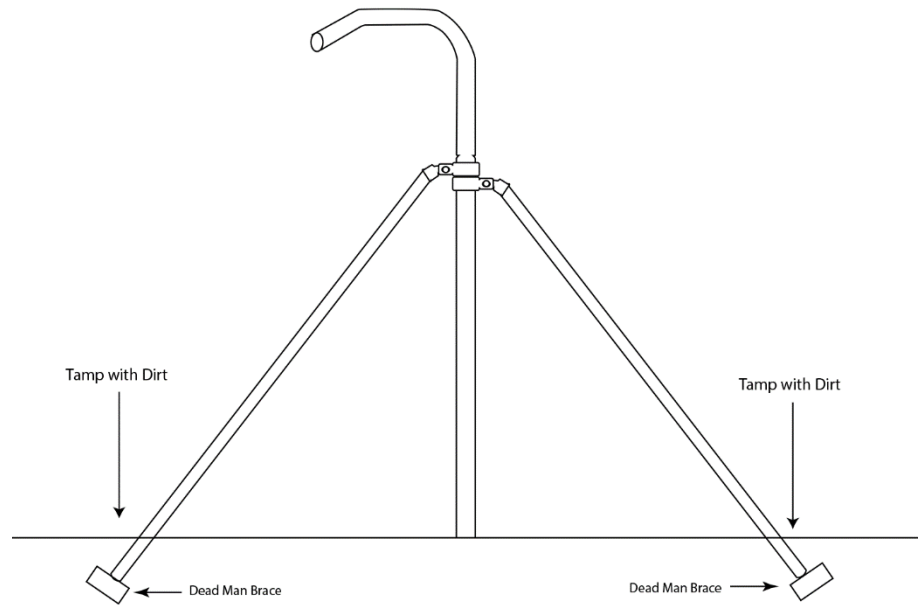
6.



**Note:** A dead man brace is a brace put into the ground to hold the brace post in position. You can use a cinderblock or a large sturdy piece of wood as the dead man. Alternatively, you can cement the brace post if you choose.

7. Once the dead man is in place, adjust your **BRACE POST (H)** so it rests tightly against the dead man. Fill the hole back up with dirt and tamp down. Repeat with your second **BRACE POST (H)** on the other side of your **CORNER POST (G)**. Once both sides are secured, tighten the **CARRIAGE BOLTS (C)** on the brace bands.

7.



## Birds Eye View

